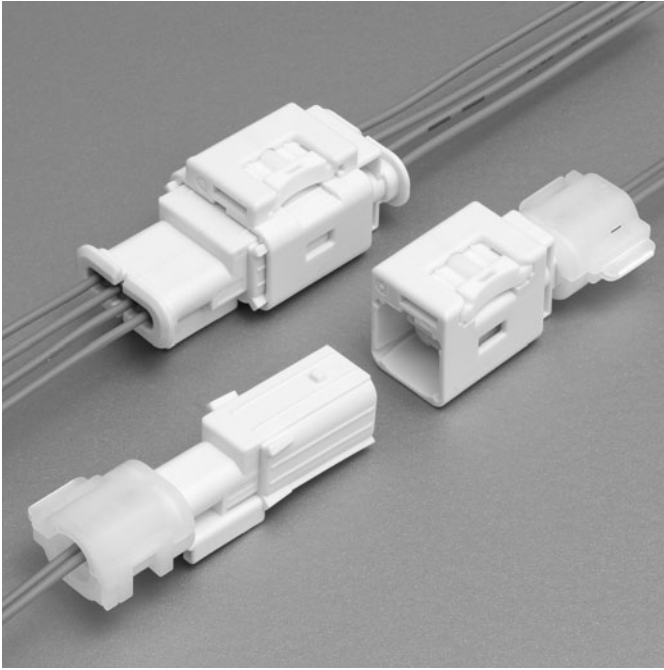


SAB CONNECTOR

Wire-to-wire



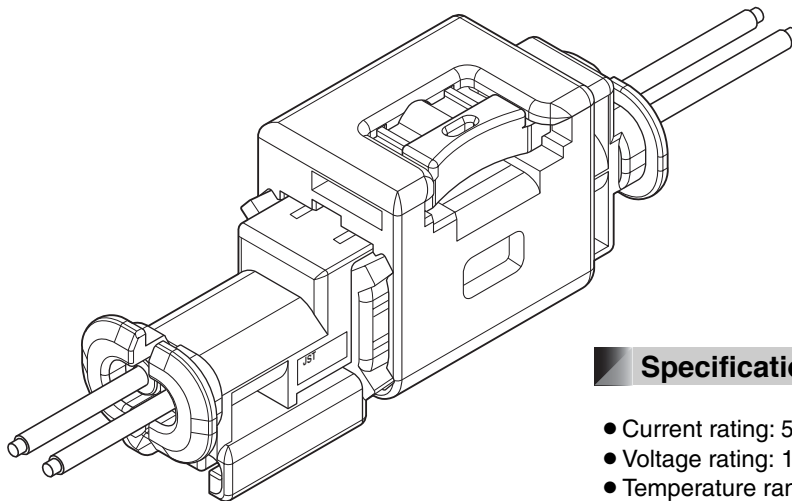
Features

- **0.64mm Single Sealed Connector for Air-bag Application**
- **Anti Vibration Mechanism**
High reliability rigid connector enables to keep higher durability at shock and vibrated environment.
- **Fool Proof Systems**
Compression spring prevents half-connecting.

0.64mm single sealed wire to wire connector with rigid design and spring lock mechanism for air-bag application.

Spring force prevents half-mating during mating and keeps constant rigid connection between male and female connector.

This connector has short terminal to prevent accidental electrical discharge.

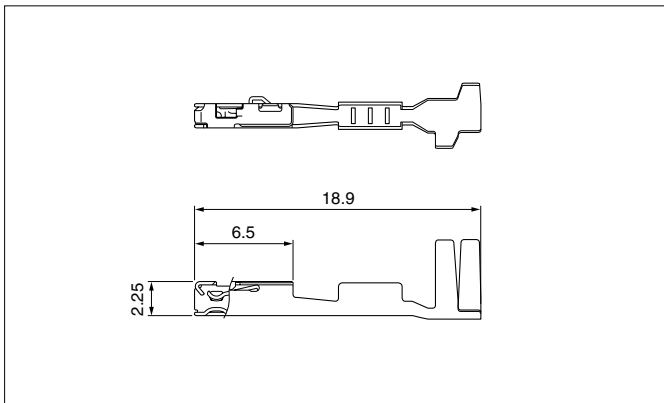


Specifications

- Current rating: 5A AC, DC max.
- Voltage rating: 14V DC
- Temperature range: -40°C to +80°C
(including temperature rise in applying electrical current)
- Contact resistance: Initial value/10mΩ max.
After environmental testing/20mΩ max.
- Insulation resistance: 100MΩ min.
- Withstanding voltage: 1,000V AC/minute
- Applicable wire: AVSS 0.5mm²

- * Compliant with ELV/RoHS.
- * Contact JST for details.

Female terminal



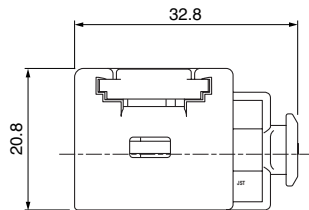
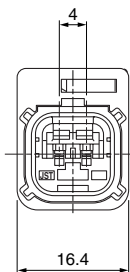
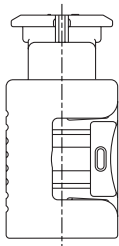
Model No.	Applicable wire range		Q'ty/reel
	Conductor (mm ²)	Insulation O.D. (mm)	
SAITS-A03GF-M064	0.5	1.6 to 1.7	3,500

Material and Finish

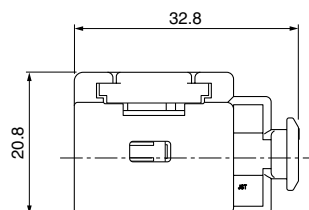
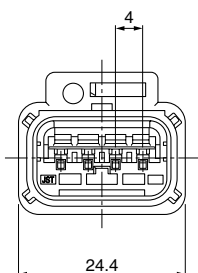
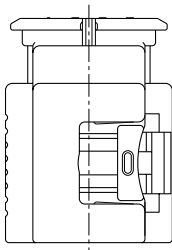
Copper alloy, nickel-undercoated, Contact area; gold-plated
Barrel area; tin-plated

Female connector

• 2 circuits



• 4 circuits



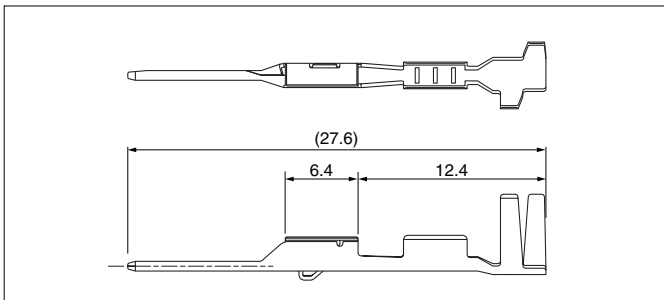
Circuits	Model No.	Q'ty/box
2	SABRB-02-1A-Y	125
4	SABRB-04-1A-Y	100

Material

Housing: Glass-filled PBT, yellow
Slider: Glass-filled PBT, natural (white)
Retainer: Glass-filled PBT, natural (white)
Spring: SUS
Inner seal: Silicone

SAB CONNECTOR

Male terminal



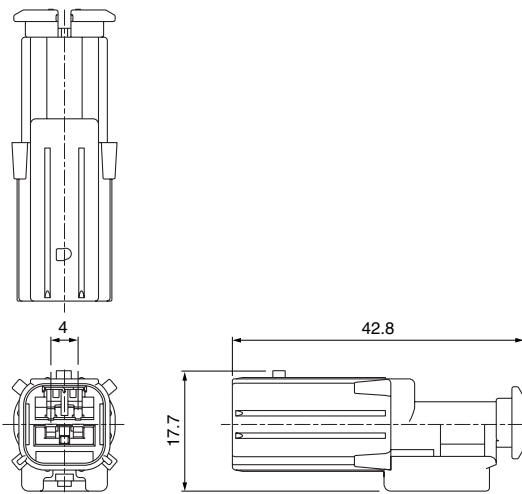
Model No.	Applicable wire range		Q'ty/reel
	Conductor (mm ²)	Insulation O.D. (mm)	
SAITWS-A03GF-064	0.5	1.6 to 1.7	3,500

Material and Finish

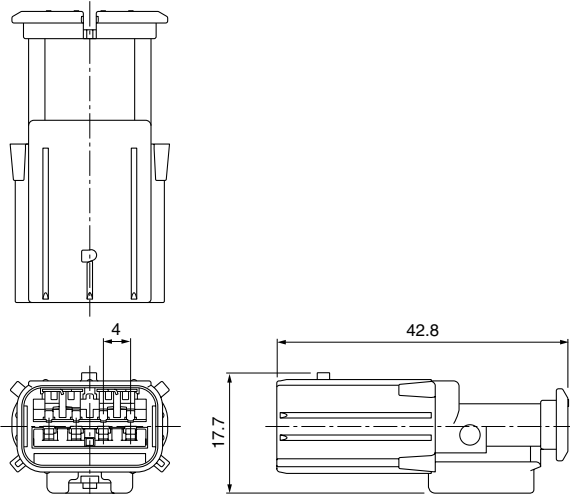
Brass, nickel-undercoated, Contact area; gold-plated
Barrel area; tin-plated

Male connector

• 2 circuits



• 4 circuits



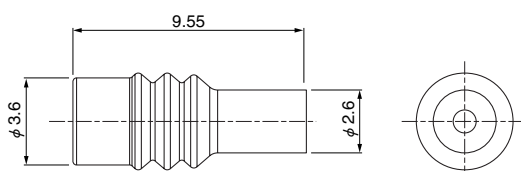
Circuits	Model No.	Q'ty/box
2	SABPB-02-1A-Y	125
4	SABPB-04-1A-Y	100

Material and Finish

Housing: Glass-filled PBT, yellow
Retainer: Glass-filled PBT, natural (white)
Short terminal: Copper alloy, nickel-undercoated, Contact area; gold-plated

Wire seal

• 2, 4 circuits



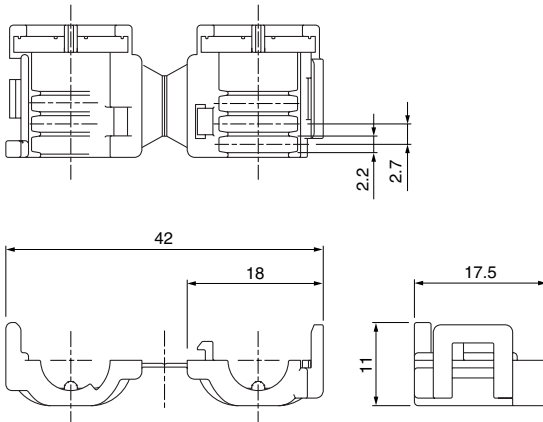
Model No.	Applicable wire range		Q'ty/box
	Conductor (mm ²)	Insulation O.D. (mm)	
A03WS-SAB-N	0.5	1.6 to 1.7	10,000

Material

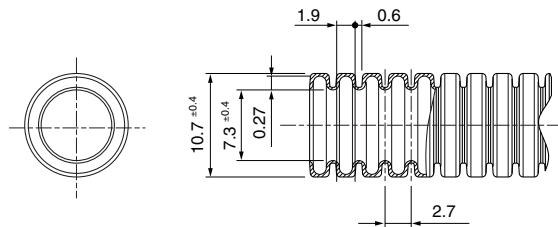
Silicone

Cover

• 2 circuits



Recommended corrugate tube layout

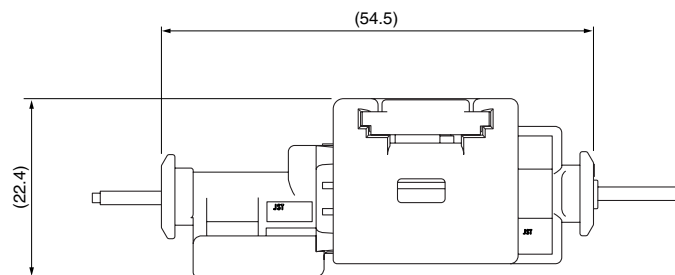


Model No.	Q'ty/box
Note) SABC-02-1A-W	200
Material	
PP, natural (white)	

Note: Cover is applicable only for 2 circuits.

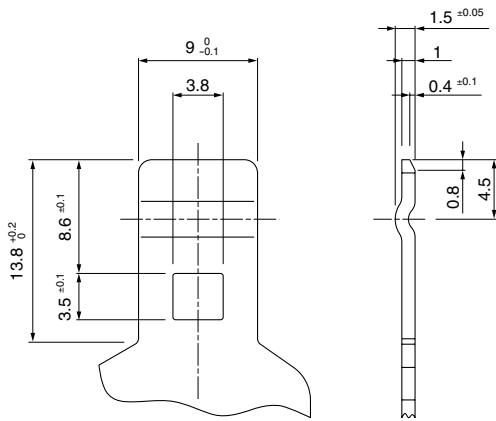
Assembly layout

• 2, 4 circuits

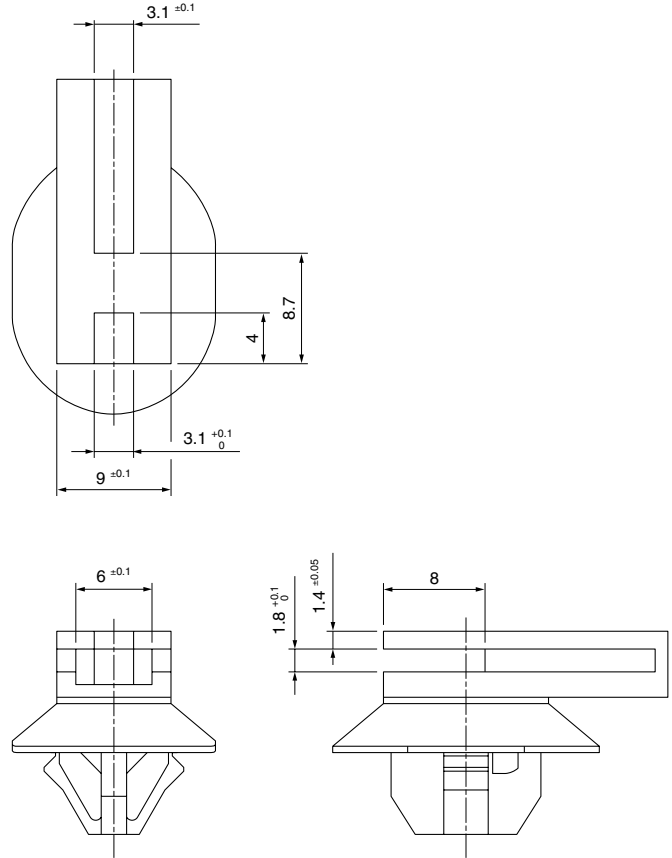


Cassette layout

Recommended bracket layout



Recommended clip layout



Note: 1. The dimensions above should serve as guideline. Contact JST for details.
2. JST recommends to use clip which is made of PA.

Crimping machine, Applicator

Strip terminal	Crimping machine	Crimp applicator MKS-L	
		Dies	Crimp applicator with dies
SAITS-A03GF-M064	AP-K2N	MK/SAITS-A03-064	APLMK SAITS-A03-064
SAITWS-A03GF-064		MK/SAITWS-A03-064	APLMK SAITWS-A03-064

Note: When crimping operation is conducted using an applicator and die set other than the above, JST cannot guarantee the performance of the terminal.