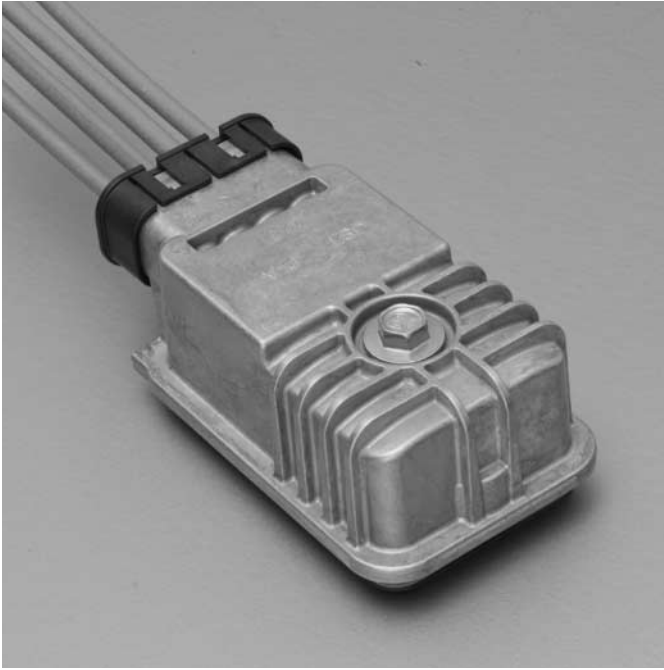


HVGT CONNECTOR

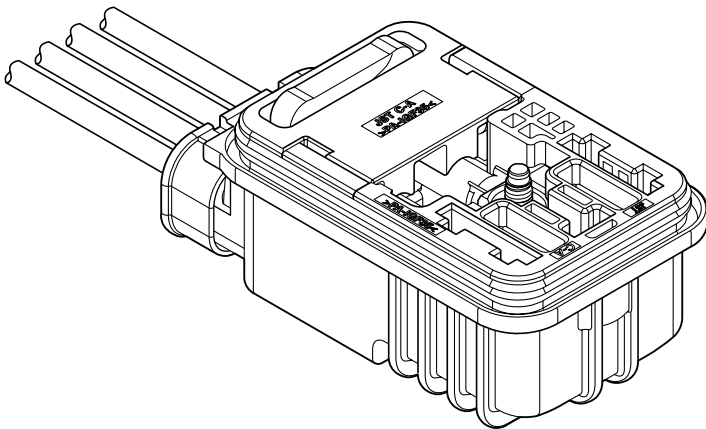
Sealed, Shield connector/High voltage



Features

- 2 Input circuits: 14.5 terminals
- 4 Output circuits: AWG #10 wire
- Sealed, Shielded, Fused Connector
- Over 93% shielding coverage
- Bolt driven mating design

2 Circuits 14.5 Sealed, Shielded, Fused Connector System in an Automotive environment. Designed for high voltage applications, requiring Fusing and Splitting.

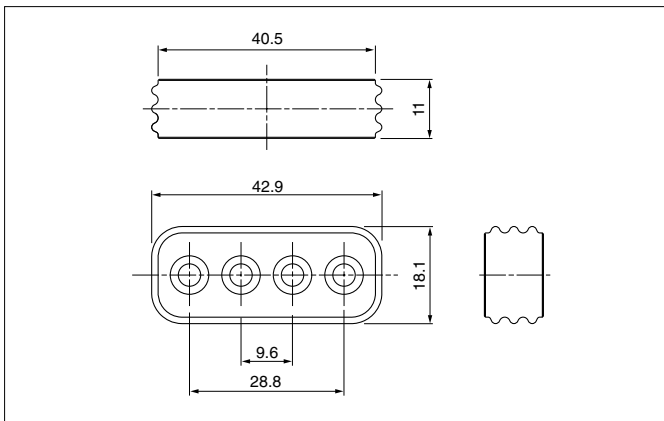


Specifications

- Current rating: 30 A DC continuous
- Voltage rating: 300 V DC continuous
- Temperature range: -40°C to +125°C
- Insulation resistance: 100 MΩ min.
- Withstanding voltage: 1,600 VAC/minute
- Applicable wire: Champlain shielded battery cable
Champlain P/N: 15-07460 or equivalent

* Compliant with ELV/RoHS.
* Contact JST for details.

Matte seal

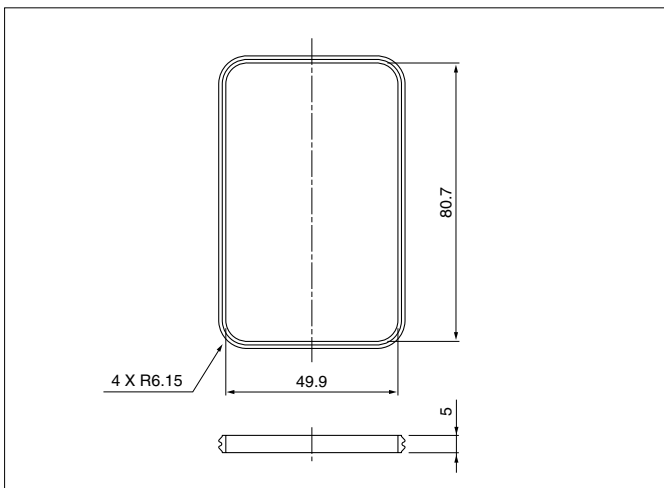


Model No.	Applicable wire range		Q'ty/box
	Conductor (mm ²)	Insulation O.D. (mm)	
HVGTMS-04-BM	5	5.54	500

Material and Finish

Silicon, green

Interface seal

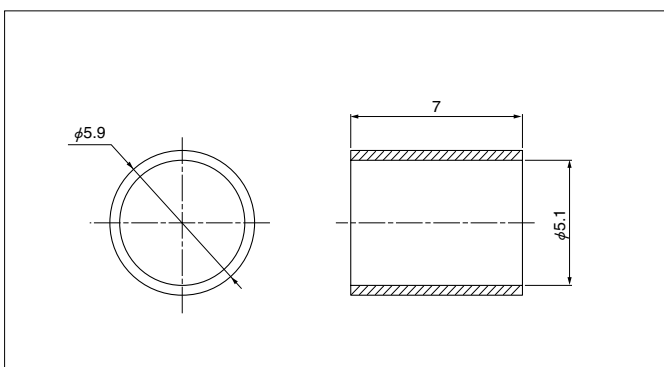


Model No.	Q'ty/box
HVGRS-02-M	1,000

Material and Finish

Silicone, green

Inner ferrule

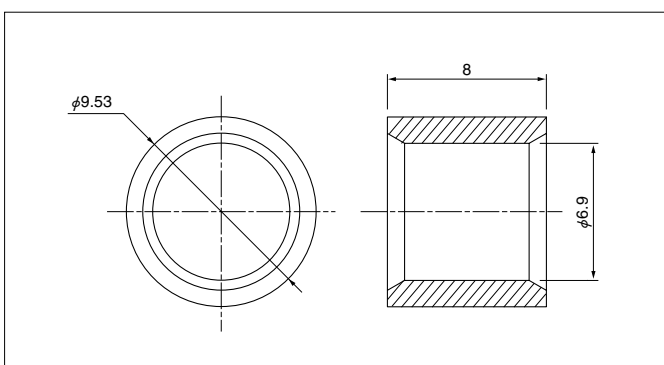


Model No.	Q'ty/box
HVGTTF-59T-A70	100

Material and Finish

Copper alloy, tin-plated

Outer ferrule



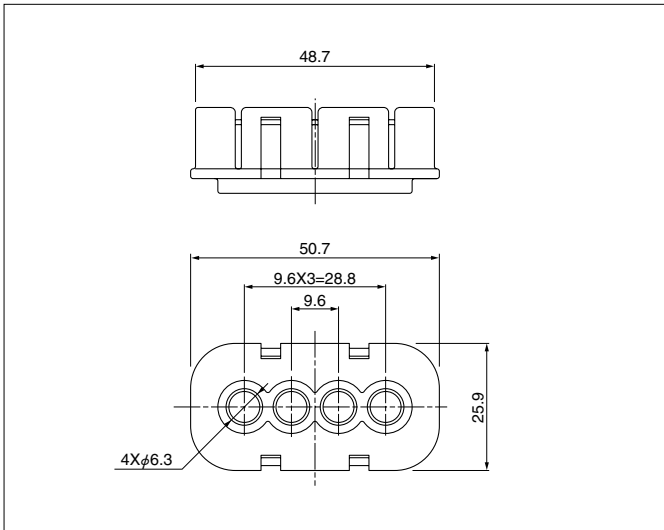
Model No.	Q'ty/box
HVGTTF-95T-A80	1,000

Material and Finish

Copper alloy, tin-plated

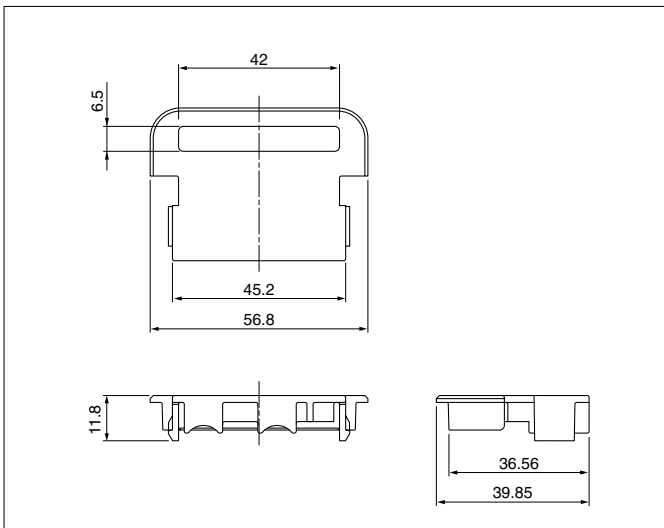
HVGT CONNECTOR

Seal cover



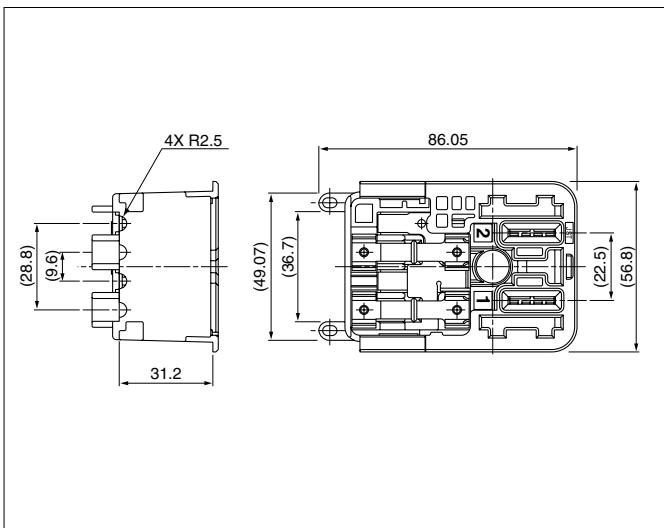
Model No.	Q'ty/box
HVGTSC-04-BK	500
Material and Finish	
Glass-filled PA, Black	

Fuse cover



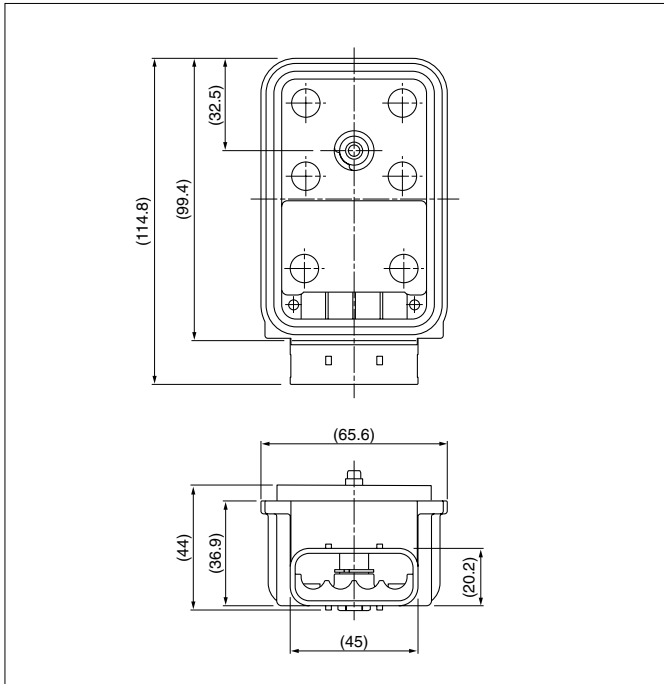
Model No.	Q'ty/box
HVGT-FC02-BK	500
Material and Finish	
Glass-filled PA, Black	

Female plastic connector assembly



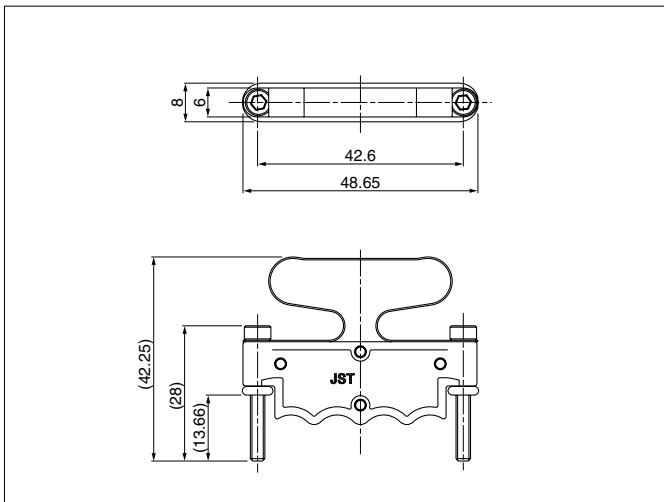
Circuits	Model No.	Q'ty/box
2	HVGTPE-E02-BK	56
Material and Finish		
Housing: Glass-filled PA, Black		
HVGT core terminal: Copper alloy, silver-plated		
Terminal reinforcement: Stainless steel		
Fuse clip: Copper alloy, nickel-plated		

Female shield cover assembly



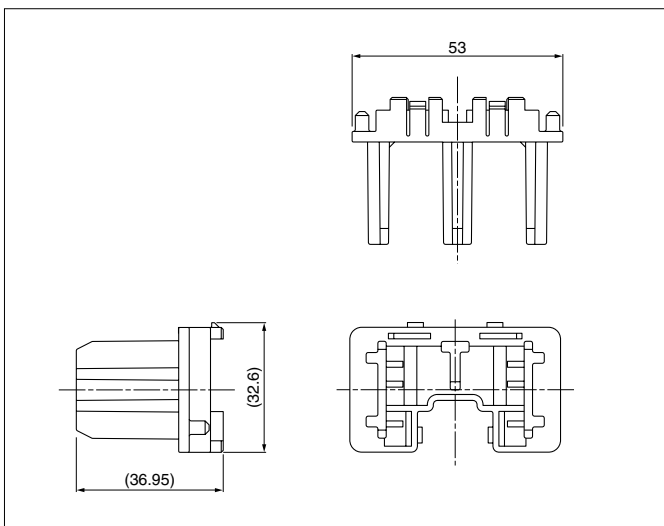
Circuits	Model No.	Q'ty/box
2	HVGTB-SCB-BS	56
Material and Finish		
Shield cover: Aluminium alloy		
M6 bolt: Steel, zinc-plated		
O-ring: Silicon, Red		
Retaining clip: Steel, Black		

Yoke assembly



Model No.	Q'ty/box
HVGTB-YA-BS	240
Material and Finish	
Yoke block: Zinc alloy	
Yoke spring: Copper alloy, tin-plated	
O-ring: Silicone, Red	
M3 bolt: Steel, zinc-plated	

Plastic Insert



Circuits	Type Code	Model No.	Q'ty/box	Applicable Connector
2	B	B02-HVGT-BS	500	HVGTPB-E02-BK
Material and Finish				
Glass-filled PA, Natural (White)				