

CN CONNECTOR

High frequency connectors



Connector for the GPS antenna system of the car navigation system.

The CN connector applies the unique crimping method to the shielding meshed wires, which will result in superior high-frequency characteristics.

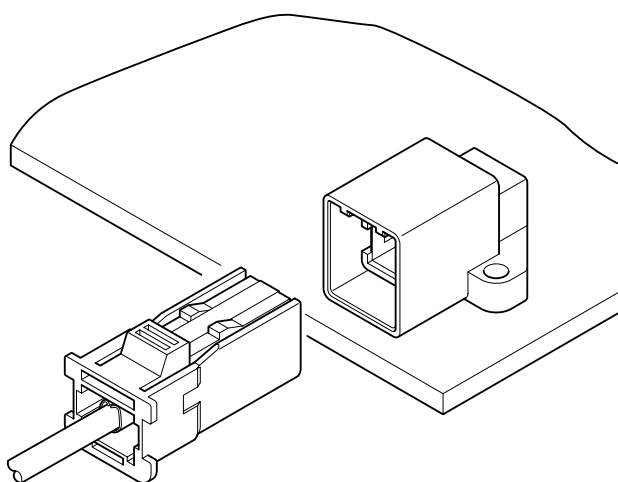
Features

●Crimping method and shape

Shielding meshed wires are crimped with the N-type crimp shape, which prevents the deflection and coming off of the meshed wires.

●Superb high-frequency characteristics

This connector can keep low VSWR characteristics, while serving high-frequency characteristics.



Specifications

- Current rating: 1.0A AC, DC
- Voltage rating: 250V AC, DC
- Temperature range: -30°C to +105°C
(including temperature rise in applying electrical current)
- Contact resistance: Initial value/30mΩ max.
After environmental testing/60mΩ max.
- Insulation resistance: 100MΩ min.
- Withstanding voltage: 1,000V AC/minute
- Applicable wire: Inner conductor cross sectional area/
0.05mm² to 0.2mm²
Outer conductor O.D./φ0.85mm to φ2.2mm
Sheath O.D./φ1.45mm to φ3.3mm
- Frequency range: DC to 1.5GHz
- Characteristic impedance: 50Ω

* Compliant with ELV/RoHS.

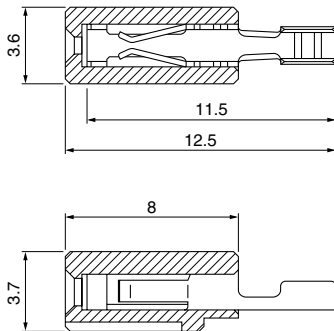
* Contact JST for details.

CN CONNECTOR

Female terminal

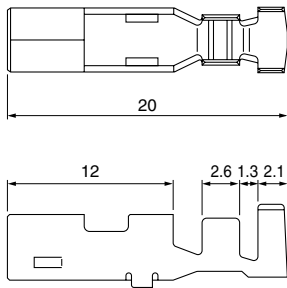
Conductor

• Socket terminal



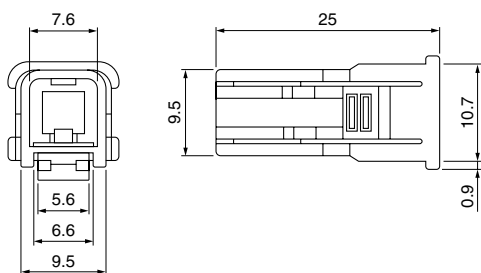
Shielding part

• Plug terminal



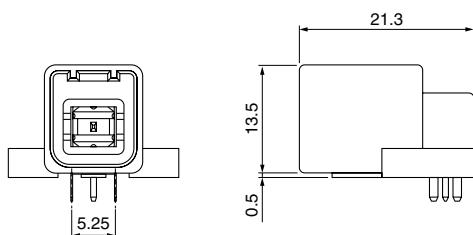
Terminal	Model No.	Q'ty/reel
Conductor	CN-SAS1290	4,000
Shielding part	SCM-61T-4.6	1,500
Material and Finish		
Conductor: Phosphor bronze, tin-plated (reflow treatment)		
Socket housing: Glass-filled LCP, natural (white)		
Shielding part: Brass, tin-plated (reflow treatment)		

Female connector



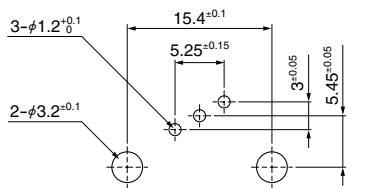
Model No.	Q'ty/box
CNP-01V	1,000
Material	
Glass-filled PBT, black	

Header

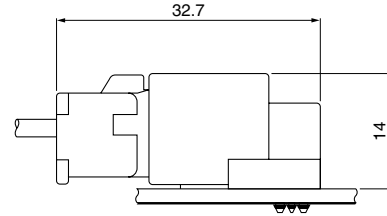


Model No.	Q'ty/box
CNB-01AH	120
Material and Finish	
Terminal: Brass, copper-undercoated, tin-plated (reflow treatment)	
Housing: Glass-filled PBT, gray	
Shielding terminal: Brass, copper-undercoated, tin-plated (reflow treatment)	

PC board layout, Assembly layout



viewed from component side



Note: 1. Tolerances are non-cumulative: $\pm 0.05\text{mm}$ for all centers.
 2. Hole dimensions differ according to the type of PC board and piercing method.
 The dimensions above should serve as guideline. Contact JST for details.

Crimping machine, Applicator

• Conductor

Terminal	Crimping machine	Crimp applicator MKS-L	
		Dies	Crimp applicator with dies
CN-SAS1290	AP-K2N	MK/CN-SAP/S1	APLMK CN-SAP/S1

Crimp tool (Pneumatic press)

• Shielding part

Terminal	Crimp tool	Control unit
BCM-61T-4.6 (Loose piece)	MP-CN-BCM61	—
SCM-61T-4.6 (Chain)	MP-CN-SCM61	MP-CU-CN(S)