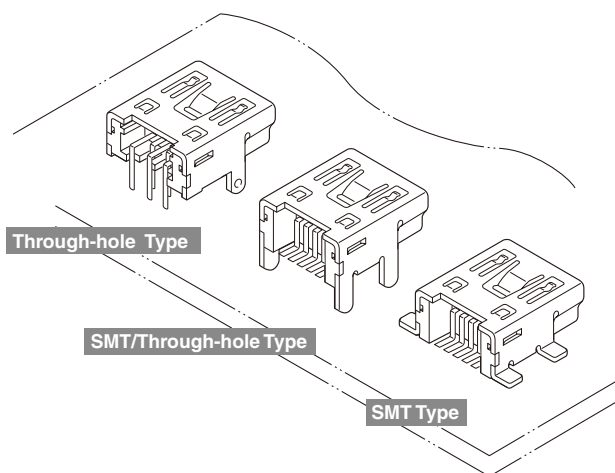




# UB CONNECTOR mini-B Type

USB (Universal Serial Bus) Conforming Connector



**The USB 2.0 certified receptacle is quite suitable for the interface of the small and miniaturized PC-peripheral products as Digital Cameras and MP3 Players.**

- **Space saving design**
- **Shielding and higher reliability of connection**
- **Excellent insertion and withdrawal forces**
- **Variations**

## Specifications

- Current rating: 1.0A AC, DC
  - Voltage rating: 30V AC, DC
  - Temperature range: -55°C to +85°C  
(including temperature rise in applying electrical current)
  - Contact resistance: Initial value/50m  $\Omega$  max.  
After environmental testing/50m  $\Omega$  max.
  - Insulation resistance: 1,000M  $\Omega$  min.
  - Withstanding voltage: 100V AC/minute
  - Applicable wire: Mating with USB 2.0 certified mini-B plug
  - Applicable PC board thickness: Through-hole/1.0mm  
SMT, SMT-through-hole/  
1.0 to 1.2mm
- \* Compliant with RoHS.  
\* Refer to "General Instruction and Notice when using Terminals and Connectors" at the end of this catalog.  
\* Contact JST for details.

## Standards

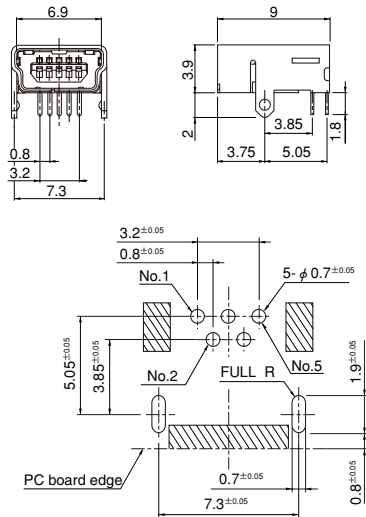
 Recognized E60389

# UB CONNECTOR mini-B Type

## Receptacle

USB 2.0 certified product

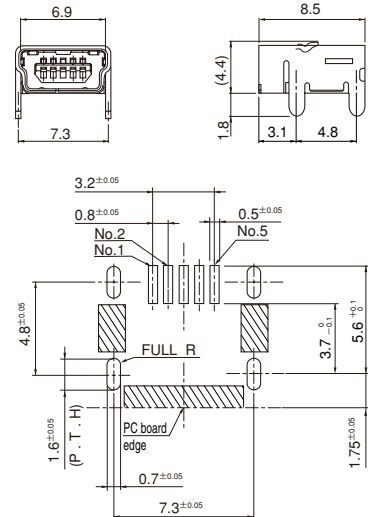
### Through-hole/Through-hole



Model No.	Material and Finish		Q'ty/box
UB-M5BR-DM14-4D	Contact	Copper alloy, nickel-undercoated, selective gold-plated	400
	Housing	Thermoplastic resin, UL94V-0	
	Shell	Copper alloy, nickel-undercoated, tin-plated	

RoHS compliance This product displays (LF)(SN) on a label.

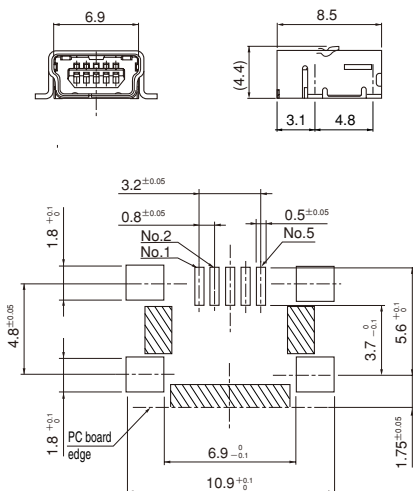
### Through-hole/SMT



Model No.	Material and Finish		Q'ty/box
UB-M5BR-S14-4S	Contact	Copper alloy, nickel-undercoated, selective gold-plated	840
	Housing	Heat resisting resin, UL94V-0	
	Shell	Copper alloy, nickel-undercoated, tin-plated	

RoHS compliance This product displays (LF)(SN) on a label.

### SMT/SMT



Model No.	Material and Finish		Q'ty/box
UB-M5BR-G14-4S	Contact	Copper alloy, nickel-undercoated, selective gold-plated	840
	Housing	Heat resisting resin, UL94V-0	
	Shell	Copper alloy, nickel-undercoated, tin-plated	

RoHS compliance This product displays (LF)(SN) on a label.