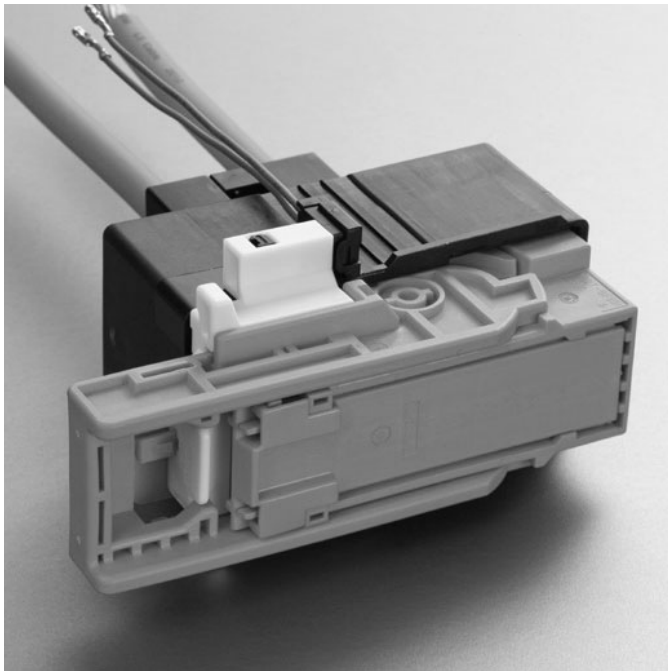


SPH2 CONNECTOR

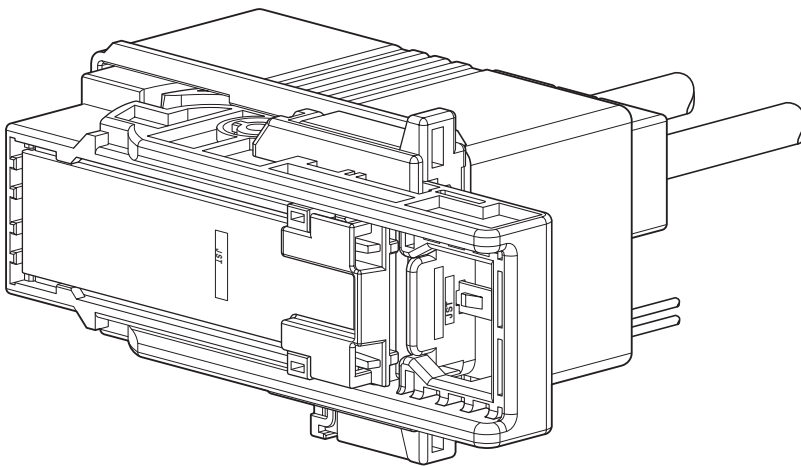
High Current, Fused connector



Features

- **Mating**
Lever mechanism realized low insertion force.
- **Mating detection**
This connector has a mechanism detecting a mating state electrically.
- **Built-in fused connector**
- **Compatible with High Current**

This is the connector for power supply cutoff switch used for the battery unit of hybrid car, etc.
This connector is realized low insertion force by using lever mechanism, and has a mechanism detecting a mating state electrically and fuse, etc.



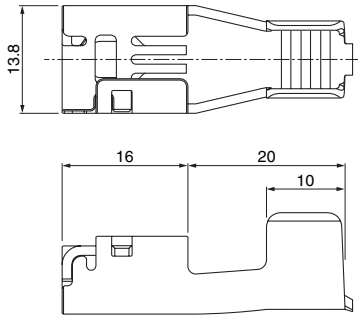
Specifications

- Current rating: Power/ 100A DC max.
Signal/ 5A DC max.
- Voltage rating: 450V DC
- Temperature range: -40°C to +105°C
(including temperature rise in applying electrical current)
- Contact resistance: Initial value/3mΩ max.
After environmental testing/10mΩ max.
- Insulation resistance: 100MΩ min.
- Withstanding voltage: 2,500V AC/minute
- Applicable wire: Power/EEX 15mm², 20mm²
Signal/AVSS 0.3mm² to 0.5mm²

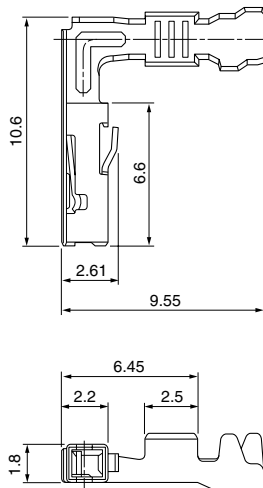
* Compliant with ELV/RoHS.
* Contact JST for details.

Female terminal

Power (PEG Female terminal)



Signal (SQS Female terminal)

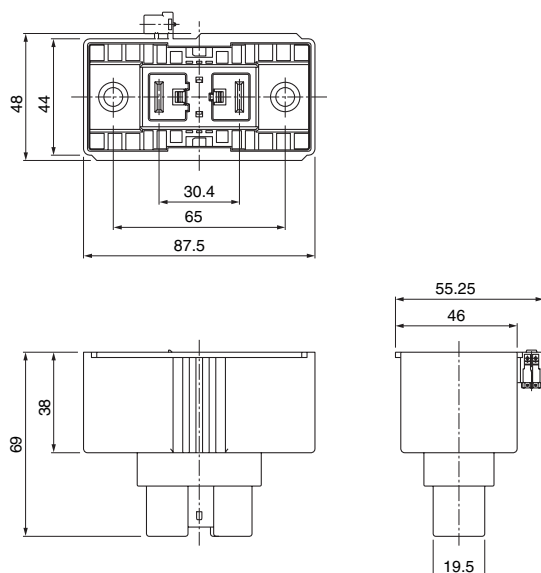


Model No.	Applicable wire range		Quantity
	Conductor (mm ²)	Insulation O.D. (mm)	
Power SPEG-A18T-M9.5	15 to 20	8.9 max.	108/box
Signal SQS-A03GF-P-P	0.3 to 0.5	1.0 to 1.6	6,500/reel

Material and Finish

Power/ PEG Terminal: Copper alloy, tin-plated
 Signal/ SQS Terminal: Copper alloy, nickel-undercoated,
 Contact area; gold-plated (0.4µm min.)

Female connector



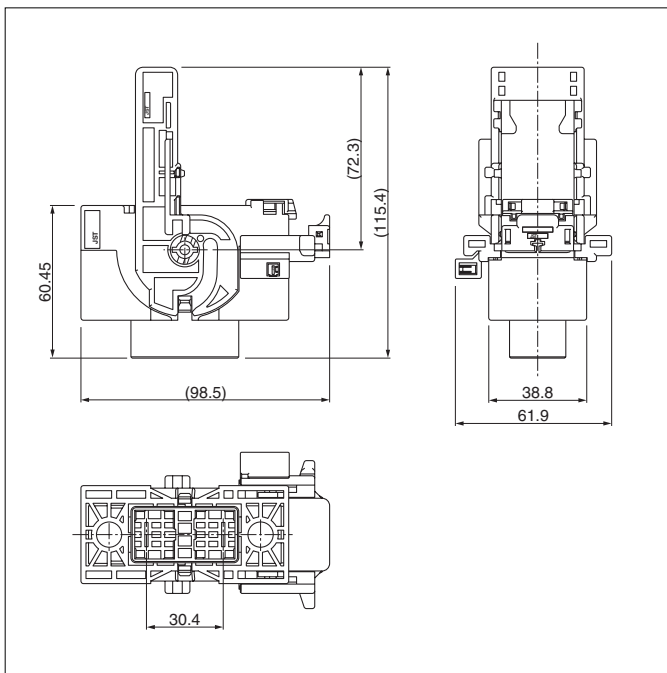
Model No.	Q'ty/box
02SPH2-R-1K	32

Material

Housing: Glass-filled PBT
 Bush: SUM24L, zinc-plated

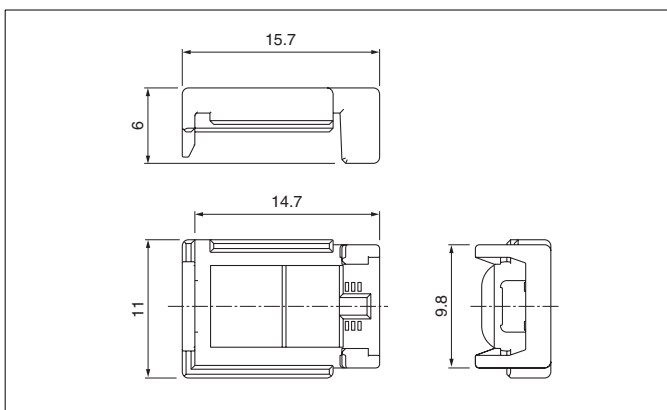
SPH2 CONNECTOR

Male connector



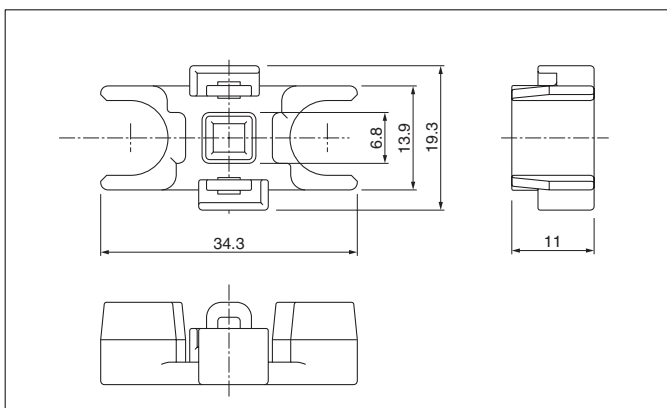
Model No.	Q'ty/box
02SPH2-P-1D	12
Material and Finish	
Housing: Glass-filled PBT	
Power terminal: Oxygen free copper, tin-plated	
Signal terminal: Brass, thin gold-plated	
Stopper: Glass-filled PBT	
Fuse cover, Lever, CPA: Glass-filled PBT	
Fuse: 125A EV FUSE	
For fixing fuse: M6 Bolt/ SWCH45K, zinc-plated	
: M6 Nut/ SUM24L, zinc-plated	
: Washer/ SWRH 55 to 57, zinc-plated	

Rear cover



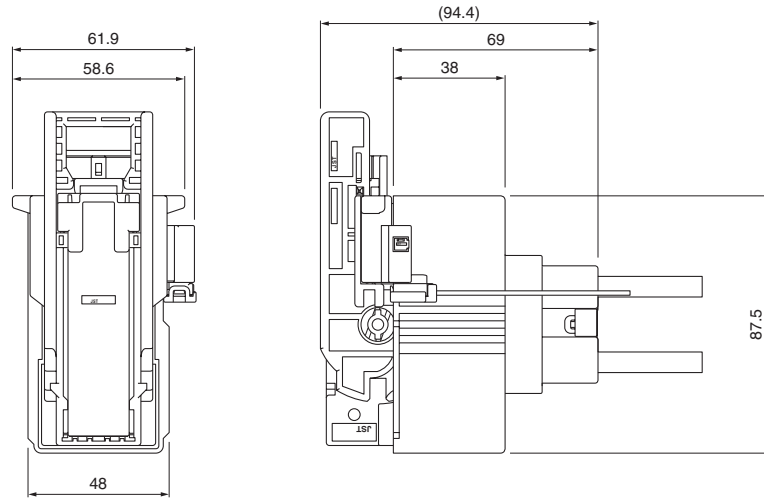
Model No.	Q'ty/box	Color
SPH2RC-02H-1K	1,200	Black
Material		
PA 66		

Rear holder



Model No.	Q'ty/box	Color
SPH2RH-02H-1K	300	Black
Material		
PA 66		

Assembly layout



Crimping machine, Applicator

Strip terminal	Battery tool	Dies			
		Yoke	Crimper	Crimper anvil (20sq)	Crimper anvil (15sq)
SPEG-A18T-M9.5	BCT-860N	6019-4101	6019-4102	6019-4103	6019-4104

Strip terminal	Crimping machine	Crimp applicator MKS-L	
		Dies	Crimp applicator with dies
SQS-A03GF-P-P	AP-K2N	MK/SQS-A03-P	APLMK SQS-A03-P

Note: When crimping operation is conducted using an applicator and die set other than the above, JST cannot guarantee the performance of the terminal.