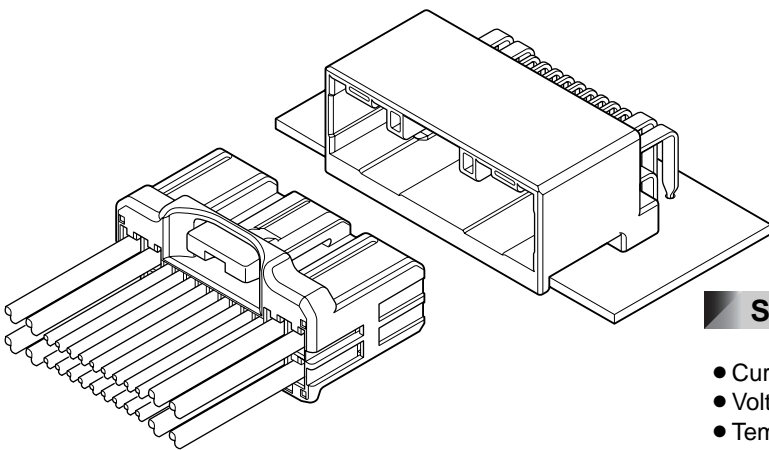


This connector is a small connector that can be widely used for the wiring for automotive electrical equipment. There are 2 kinds of connector for signal and hybrid type for signal and power supply.



### Features

#### ●High reliability

Using the tried and true terminal ensures high performance and high reliability.

The retainer (secondary lock) is provided for automobile, and reliability is improved.

#### ●Variation

Many variations

#### ●Diversity

It is hybrid structures of using 0.64 terminals for signal, and 2.3 terminals for power supply.

It is possible to correspond also to large current circuit.

### Specifications (0.64 Terminal)

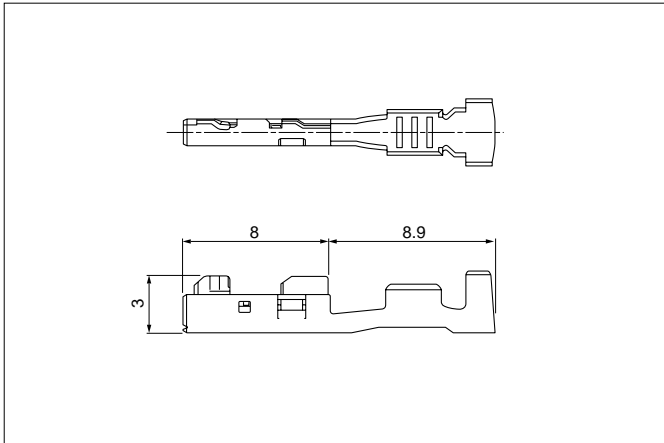
- Current rating: 5A AC, DC (0.5mm<sup>2</sup>, Single circuit)
- Voltage rating: 50V AC, DC
- Temperature range: -40°C to +105°C  
(including temperature rise in applying electrical current)
- Contact resistance: Initial value/8mΩ max.  
After environmental testing/16mΩ max.
- Insulation resistance: 100MΩ min.
- Withstanding voltage: 1,000V AC/minute
- Applicable wire: AVSS/CAVS  
0.3mm<sup>2</sup> to 0.5mm<sup>2</sup>

\* Contact JST for 2.3II female terminal for power supply.

\* Compliant with ELV/RoHS.

\* Contact JST for details.

## Female terminal



Model No.	Applicable wire range		Q'ty/reel
	Conductor (mm <sup>2</sup> )	Insulation O.D. (mm)	
<b>SNAC3-A021T-M0.64</b>	0.3 to 0.5	1.4 to 1.8	5,000

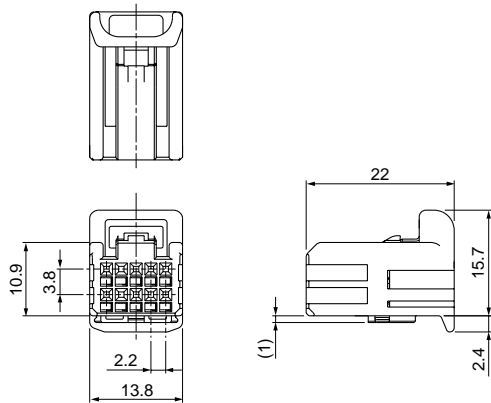
### Material and Finish

Copper alloy, tin-plated (reflow treatment)

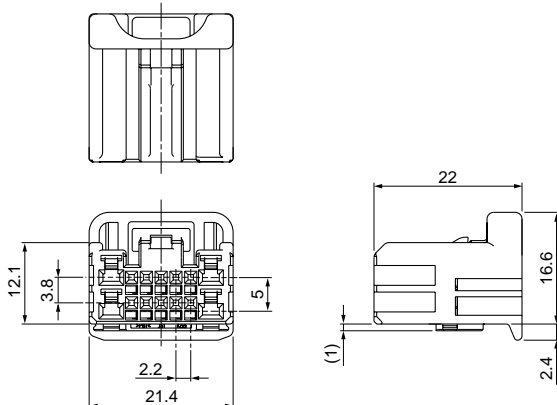
Note: Contact JST for 2.3II female terminal for power supply.

## Female connector

### • 10SHC-B-1A



### • 14SHC-B-1A



Circuits	Model No.	Q'ty/box	Color	
			Housing	Retainer
10	<b>10SHC-B-1A</b>	1,800	Gray	Blue
14	<b>14SHC-B-1A</b>	1,200	Gray	Blue
24	<b>24SHC-B-1A</b>	720	Gray	Blue
26	<b>26SHC-B-1A</b>	600	Gray	Blue
	<b>26SHC-B-2A</b>	600	Black	Blue
32	<b>32SHC-B-1A</b>	600	Gray	Blue

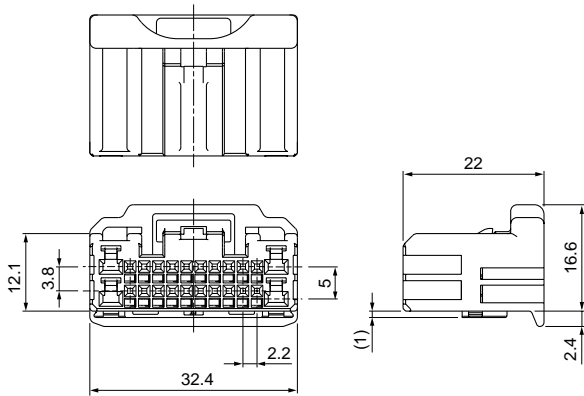
### Material

Housing: PBT  
Retainer: PBT

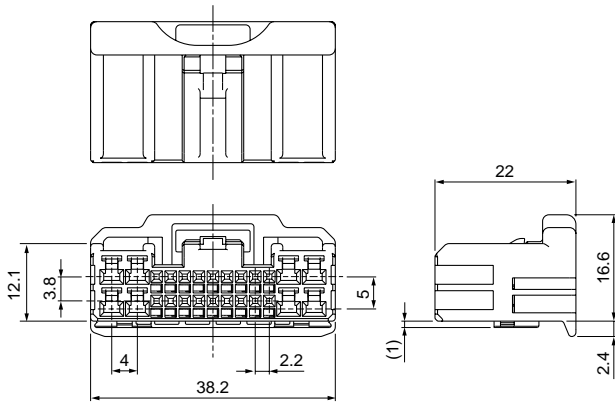
# SHC CONNECTOR

## Female connector

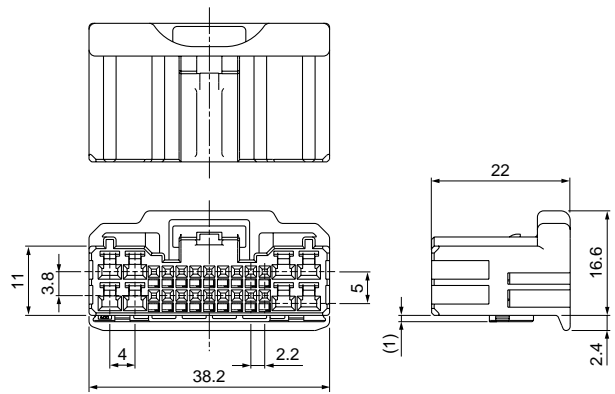
### ● 24SHC-B-1A



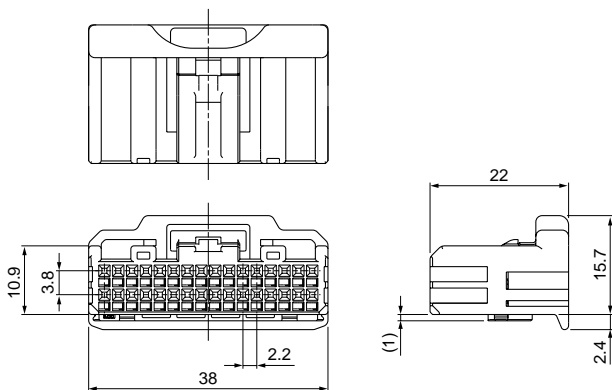
### ● 26SHC-B-1A



### ● 26SHC-B-2A

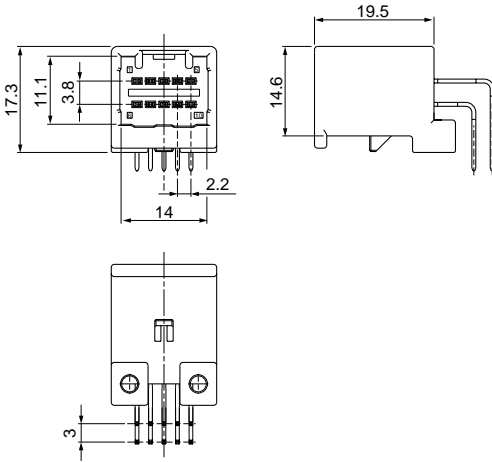


### ● 32SHC-B-1A

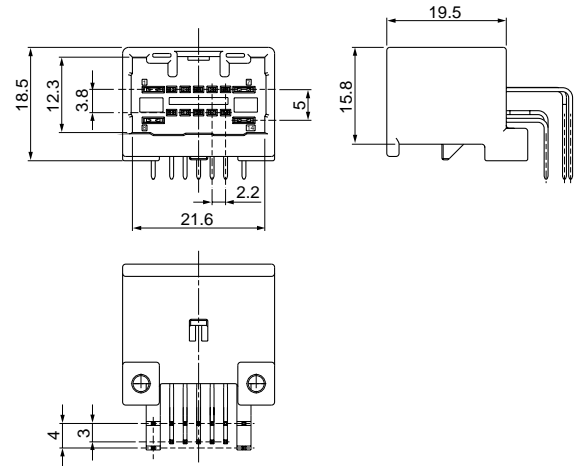


## Male connector

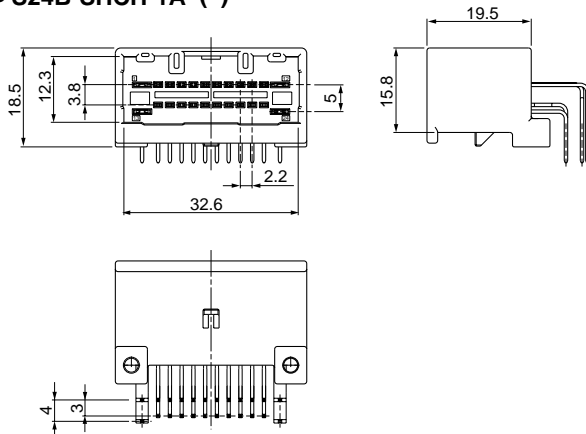
### ● S10B-SHCH-1A ( )



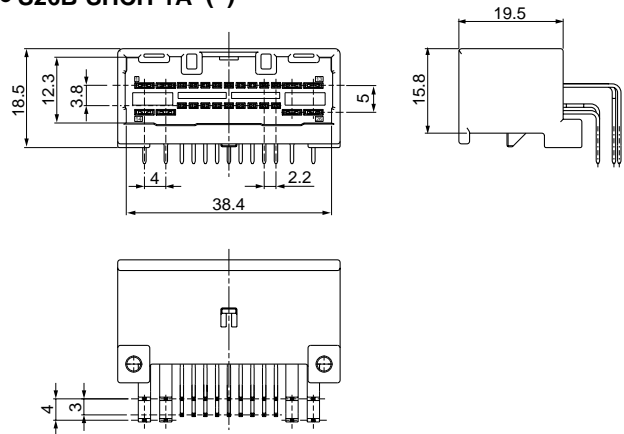
### ● S14B-SHCH-1A ( )



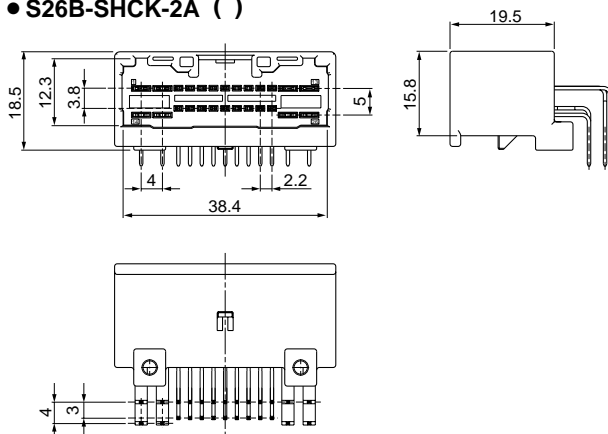
### ● S24B-SHCH-1A ( )



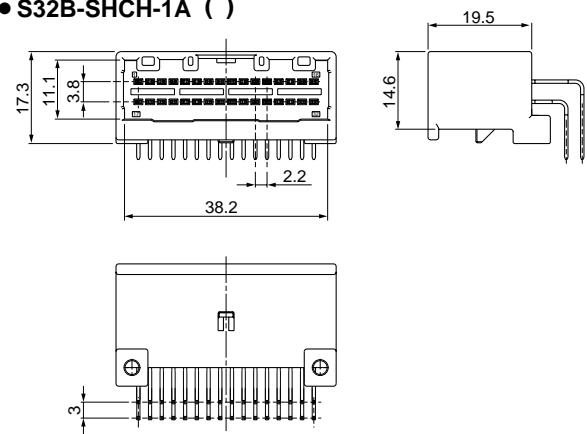
### ● S26B-SHCH-1A ( )



### ● S26B-SHCK-2A ( )



### ● S32B-SHCH-1A ( )



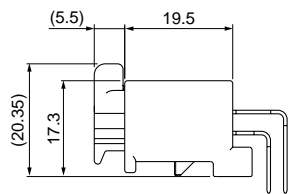
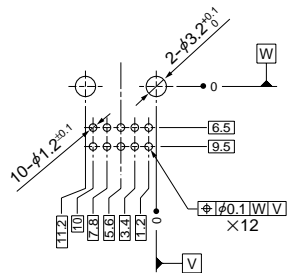
Circuits	Model No.		Color	Q'ty/box	
	Magazine stick	Tray packed		Magazine stick	Tray packed
10	<b>S10B-SHCH-1A (M)</b>	—	Gray	1,200	—
14	<b>S14B-SHCH-1A (M)</b>	<b>S14B-SHCH-1A R</b>	Gray	816	720
24	<b>S24B-SHCH-1A (M)</b>	<b>S24B-SHCH-1A R</b>	Gray	576	504
26	<b>S26B-SHCH-1A (M)</b>	<b>S26B-SHCH-1A R</b>	Gray	480	432
	<b>S26B-SHCK-2A (M)</b>	<b>S26B-SHCK-2A R</b>	Black	480	432
32	<b>S32B-SHCH-1A (M)</b>	<b>S32B-SHCH-1A R</b>	Gray	480	432

#### Material and Finish

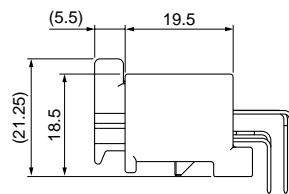
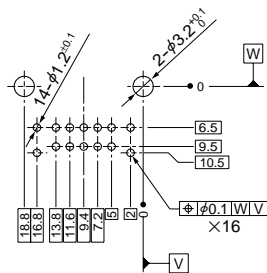
Housing: Glass-filled PBT  
Male pin: Brass, nickel-undercoated, tin-plated (reflow treatment)

## PC board layout, Assembly layout

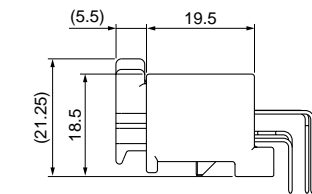
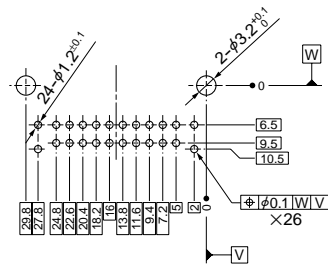
● S10B-SHCH-1A ( )



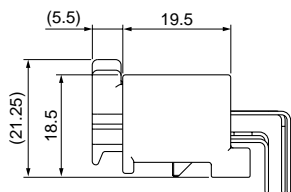
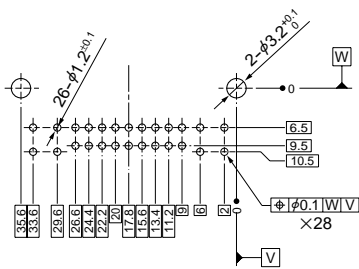
● S14B-SHCH-1A ( )



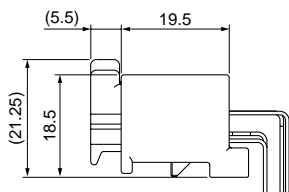
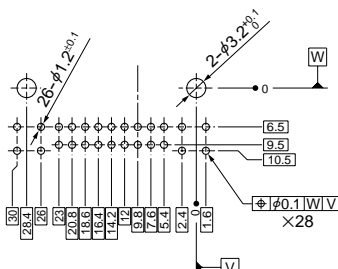
● S24B-SHCH-1A ( )



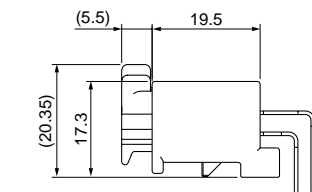
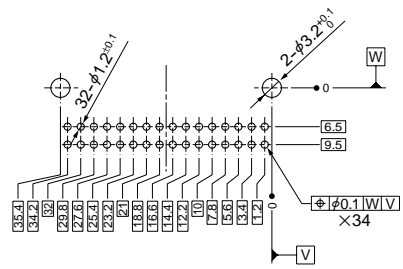
● S26B-SHCH-1A ( )



● S26B-SHCK-2A ( )



● S32B-SHCH-1A ( )



## Crimping machine, Applicator, Hand crimp tool

Strip terminal	Crimping machine	Crimp applicator MKS-L		Hand crimp tool	Applicable wire
		Dies	Crimp applicator with dies		
SNAC3-A021T-M0.64	AP-K2N	MK/SNAC3-A021-064	APLMK SNAC3-A021-064	YRK-1003	AVSS0.5, CAVS0.5

Note: When crimping operation is conducted using an applicator and die set other than the above, JST cannot guarantee the performance of the terminal.