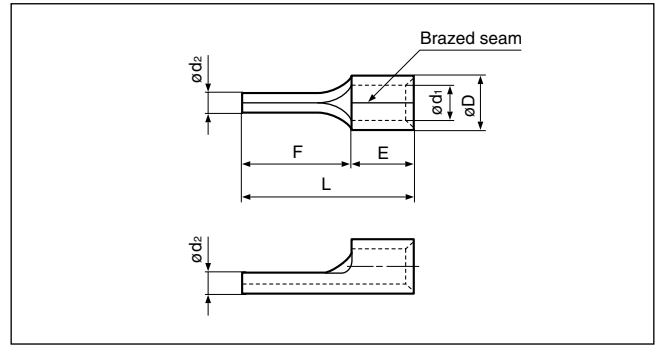


Solderless terminals

**PIN** Non-insulated



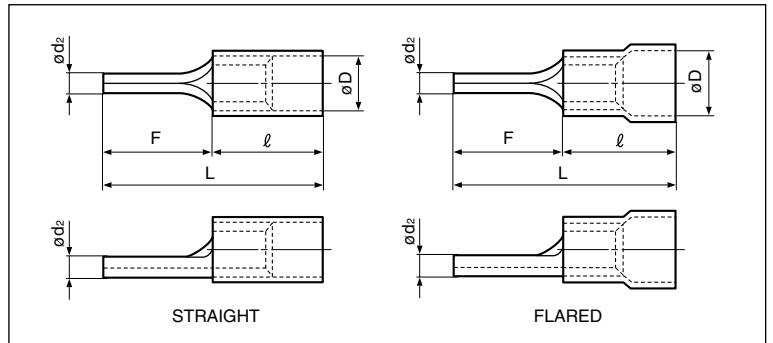
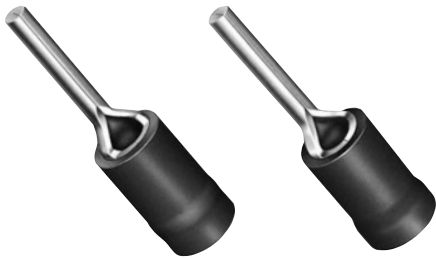
Certificate No.: E42024

| Applicable Wire<br>AWG# (mm <sup>2</sup> ) | Part No.     | Standard | Dimensions mm (in.) |             |             |            |            |            |                    | Tool No. |          |      |      |      | Qty/box |          |
|--|--------------|----------|---------------------|-------------|-------------|------------|------------|------------|--------------------|----------|----------|------|------|------|---------|----------|
|  |              |          | $\phi d_2$          | L           | F           | E          | $\phi D$   | $\phi d_1$ | Material Thickness | YHT-2622 | YHT-2216 | YA-1 | YA-2 | YA-4 |         | BCT-0514 |
| 26 to 22 (0.2 to 0.5)                      | PC-0.5       |          | 1.2 (.047)          | 14.0 (.551) | 10.0 (.394) | 4.0 (.157) | 2.2 (.087) | 1.0 (.039) | 0.5 (.020)         | o        | o        | o    | o    | o    | o       | 1,000    |
| 22 to 16<br>(0.25 to 1.65)                 | PC-1.25      |          | 1.9 (.075)          | 17.0 (.669) | 12.0 (.472) | 5.0 (.197) | 3.4 (.134) | 1.6 (.063) | 0.8 (.031)         | o        | o        | o    | o    | o    | o       | 1,000    |
|  | PC-1.25 F-10 |          |                     | 15.0 (.591) | 10.0 (.394) |            |            |            |                    |          |          |      |      |      |         |          |
|  | PC-1.25 F- 9 |          |                     | 14.0 (.551) | 9.0 (.354)  |            |            |            |                    |          |          |      |      |      |         |          |
|  | PC-1.25 F- 7 |          |                     | 12.0 (.472) | 7.0 (.276)  |            |            |            |                    |          |          |      |      |      |         |          |
| 16 to 14<br>(1.04 to 2.63)                 | PC-2         |          | 1.9 (.075)          | 17.0 (.669) | 12.0 (.472) | 5.0 (.197) | 4.1 (.161) | 2.3 (.091) | 0.8 (.031)         | o        | o        | o    | o    | o    | o       | 1,000    |
|  | PC-2 F-17    |          |                     | 22.0 (.866) | 17.0 (.669) |            |            |            |                    |          |          |      |      |      |         | 500      |
|  | PC-2 F- 9    |          |                     | 14.0 (.551) | 9.0 (.354)  |            |            |            |                    |          |          |      |      |      |         | 1,000    |
|  | PC-2 F- 7    |          |                     | 12.0 (.472) | 7.0 (.276)  |            |            |            |                    |          |          |      |      |      |         | 1,000    |
| 12 to 10 (2.63 to 6.64)                    | PC-5.5       |          | 2.7 (.106)          | 20.0 (.787) | 14.0 (.551) | 6.0 (.236) | 5.7 (.224) | 3.6 (.142) | 1.0 (.039)         | o        | o        | o    | o    | o    | o       | 500      |

Note:1) The part numbers indicated in the above table are for products with a brazed seam.  
 When ordering products with a butted seam, add the prefix "WS" to the part number (ex. PC-2 → **WSPC-2**).  
 2) Delivery lead times may vary depending on the product. Contact JST for details.

Solderless terminals

**PIN** Vinyl-insulated



Certificate No.: E42024

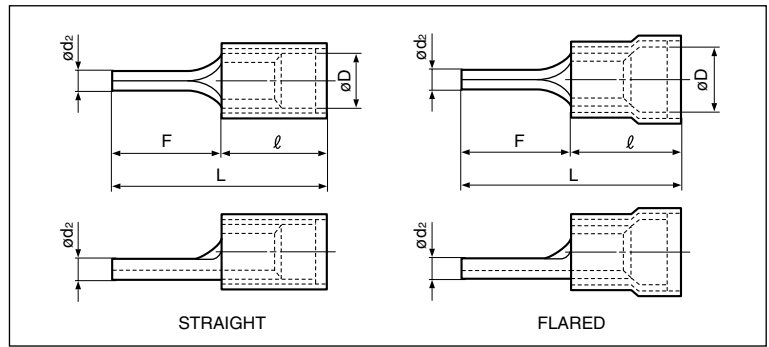
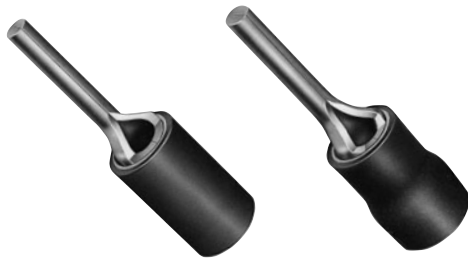
| Applicable Wire<br>AWG# (mm <sup>2</sup> ) | Part No.      |                | Standard | Dimensions mm (in.) |              |             |             |            |            |                    | Color  | Tool No. |          |          |           |      | Qty/box |      |       |          |
|--|---------------|----------------|----------|---------------------|--------------|-------------|-------------|------------|------------|--------------------|--------|----------|----------|----------|-----------|------|---------|------|-------|----------|
|  | Straight      | Flared         |          | $\phi d_2$          | L            | F           | $\ell$      | $\phi D$   |            | Material Thickness |        | YNT-2622 | YNT-2216 | YNT-1614 | YNT-1210S | YA-1 |         | YA-2 | YA-4  | BCT-0514 |
|  |               |                |          |                     |              |             |             | Str.       | Fld.       |                    |        |          |          |          |           |      |         |      |       |          |
| 26 to 22<br>(0.2 to 0.5)                   | VPC-0.5       | FVPC-0.5       |          | 1.2 (.047)          | 18.0 (.709)  | 10.0 (.394) | 8.0 (.315)  | 1.9 (.075) | 2.9 (.114) | 0.5 (.020)         | Yellow | o        |          |          | o         | o    | o       | o    | 1,000 |          |
| 22 to 16<br>(0.25 to 1.65)                 | VPC-1.25      | FVPC-1.25      |          | 1.9 (.075)          | 21.0 (.827)  | 12.0 (.472) | 9.0 (.354)  | 3.2 (.126) | 4.0 (.157) | 0.8 (.031)         | Red    | o        |          |          | o         | o    | o       | o    | 1,000 |          |
|  | VPC-1.25 F-10 | FVPC-1.25 F-10 |          |                     | 19.0 (.748)  | 10.0 (.394) |             |            |            |                    |        |          |          |          |           |      |         |      |       |          |
|  | VPC-1.25 F- 9 | FVPC-1.25 F- 9 |          |                     | 18.0 (.709)  | 9.0 (.354)  |             |            |            |                    |        |          |          |          |           |      |         |      |       |          |
|  | VPC-1.25 F- 7 | FVPC-1.25 F- 7 |          |                     | 16.0 (.630)  | 7.0 (.276)  |             |            |            |                    |        |          |          |          |           |      |         |      |       |          |
| 16 to 14<br>(1.04 to 2.63)                 | VPC-2         | FVPC-2         |          | 1.9 (.075)          | 21.0 (.827)  | 12.0 (.472) | 9.0 (.354)  | 3.9 (.154) | 4.5 (.377) | 0.8 (.031)         | Blue   | o        |          |          | o         | o    | o       | o    | 1,000 |          |
|  | VPC-2 F-17    | FVPC-2 F-17    |          |                     | 26.0 (1.024) | 17.0 (.669) |             |            |            |                    |        |          |          |          |           |      |         |      |       |          |
|  | VPC-2 F- 9    | FVPC-2 F- 9    |          |                     | 18.0 (.709)  | 9.0 (.354)  |             |            |            |                    |        |          |          |          |           |      |         |      |       |          |
|  | VPC-2 F- 7    | FVPC-2 F- 7    |          |                     | 16.0 (.630)  | 7.0 (.276)  |             |            |            |                    |        |          |          |          |           |      |         |      |       |          |
| 12 to 10<br>(2.63 to 6.64)                 | VPC-5.5       | FVPC-5.5       |          | 2.7 (.106)          | 27.5 (1.083) | 14.0 (.551) | 13.5 (.531) | 5.4 (.213) | 6.8 (.268) | 1.0 (.039)         | Yellow |          |          | o        |           | o    | o       | 500  |       |          |

Note:1) The part numbers indicated in the above table are for products with a brazed seam.  
 When ordering products with a butted seam, add the prefix "WS" to the part number (ex. FVPC-2 → **FWWSPC-2**).  
 2) \*The crimping will be more secure if the total cross-sectional area of the wire is at least 0.5 mm<sup>2</sup>.  
 Examples: If the cross-sectional area of the wire is 0.3mm<sup>2</sup>, fold the wire in two when crimping the terminal.  
 If the cross-sectional area of the wire is 0.5mm<sup>2</sup>, crimp the terminal onto the wire as it is.  
 3) Delivery lead times may vary depending on the product. Contact JST for details.

Solderless terminals



**PIN** vinyl-insulated with copper sleeve



Certificate No.: E42024

| Applicable Wire<br>AWG#(mm <sup>2</sup> ) | Part No.       |                 | Standard | Dimensions mm (in.) |                |                |             |               |               |               |               | Material<br>Thickness | Color  | Tool No. |          |          |           |      |      | Qty/box |      |          |
|---|----------------|-----------------|----------|---------------------|----------------|----------------|-------------|---------------|---------------|---------------|---------------|-----------------------|--------|----------|----------|----------|-----------|------|------|---------|------|----------|
|   | Straight       | Flared          |          | ø d <sub>2</sub>    | L              |                | F           | ℓ             |               | ø D           |               |                       |        | YNT-2622 | YNT-2216 | YNT-1614 | YNT-1210S | YA-1 | YA-2 |         | YA-4 | BCT-0514 |
|   |                |                 |          |                     | Str.           | Flid.          |             | Str.          | Flid.         | Str.          | Flid.         |                       |        |          |          |          |           |      |      |         |      |          |
| 26 to 22<br>(0.2 to 0.5)                  | VDPC-0.5       | FVDPC-0.5       |          | 1.2<br>(.047)       | 18.0<br>(.709) | 18.3<br>(.720) | 10.0 (.394) | 8.0<br>(.315) | 8.3<br>(.327) | 2.2<br>(.087) | 2.5<br>(.098) | 0.5<br>(.020)         | Yellow | o        |          |          | o         | o    | o    | 1,000   |      |          |
| 22 to 16<br>(0.25 to 1.65)                | VDPC-1.25      | FVDPC-1.25      |          | 1.9<br>(.075)       | 21.6 (.850)    | 12.0 (.472)    | 10.0 (.394) | 9.6<br>(.378) | 8.3<br>(.327) | 3.5<br>(.138) | 4.0<br>(.157) | 0.8<br>(.031)         | Red    | o        |          |          | o         | o    | o    | 500     |      |          |
|   | VDPC-1.25 F-10 | FVDPC-1.25 F-10 |          |                     | 19.6 (.772)    | 9.0 (.354)     |             |               |               |               |               |                       |        |          |          |          |           |      |      |         |      |          |
|   | VDPC-1.25 F- 9 | FVDPC-1.25 F- 9 |          |                     | 18.6 (.732)    | 7.0 (.276)     |             |               |               |               |               |                       |        |          |          |          |           |      |      |         |      |          |
| 16 to 14<br>(1.04 to 2.63)                | VDPC-2         | FVDPC-2         |          | 1.9<br>(.075)       | 21.6 (.850)    | 12.0 (.472)    | 17.0 (.669) | 9.6<br>(.378) | 8.3<br>(.327) | 4.1<br>(.161) | 4.7<br>(.185) | 0.8<br>(.031)         | Blue   |          | o        |          | o         | o    | o    | 500     |      |          |
|   | VDPC-2 F-17    | FVDPC-2 F-17    |          |                     | 26.6(1.472)    | 9.0 (.354)     |             |               |               |               |               |                       |        |          |          |          |           |      |      |         |      |          |
|   | VDPC-2 F- 9    | FVDPC-2 F- 9    |          |                     | 18.6 (.732)    | 7.0 (.276)     |             |               |               |               |               |                       |        |          |          |          |           |      |      |         |      |          |
| 12 to 10<br>(2.63 to 6.64)                | VDPC-5.5       | FVDPC-5.5       |          | 2.7<br>(.106)       | 28.0(1.102)    | 14.0 (.551)    | 14.0 (.551) | 14.0 (.551)   | 5.7<br>(.224) | 6.5<br>(.256) | 1.0<br>(.039) | Yellow                |        |          | o        |          | o         | o    | 500  |         |      |          |
|   |                |                 |          |                     |                |                |             |               |               |               |               |                       |        |          |          |          |           |      |      |         |      |          |

Note:1) The part numbers indicated in the above table are for products with a brazed seam.  
 When ordering products with a butted seam, add the prefix "WS" to the part number (ex. FVDPC-2->**FVDWSPC-2**).  
 2) Delivery lead times may vary depending on the product. Contact JST for details.