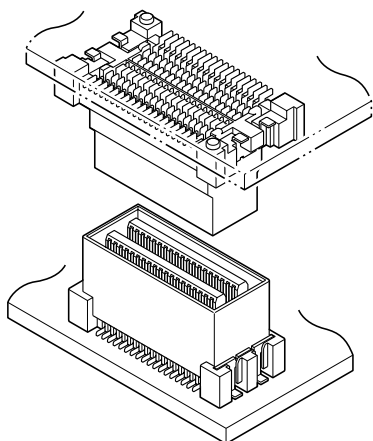


HTB CONNECTOR

0.635mm pitch/Board-to-board connectors



This connector is 0.635mm pitch SMT type board-to-board connector with parallel and perpendicular connection.

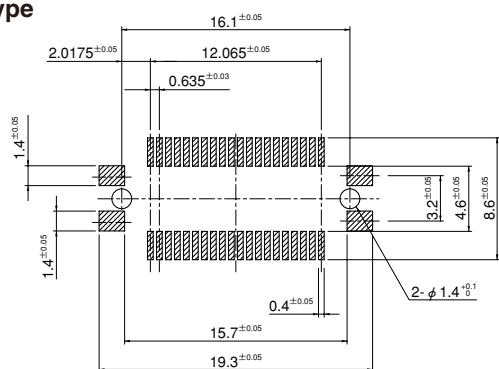
- Distortion preventive construction
- High contact reliability
- Absorbing misalignment when mating connector

Specifications

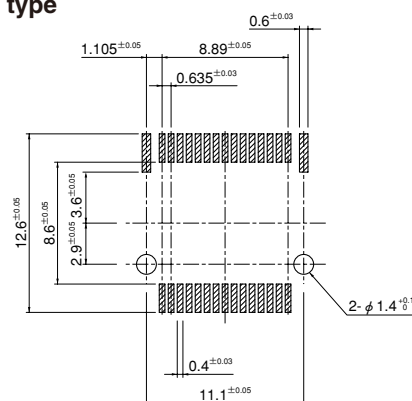
- Current rating: 0.5A AC, DC
- Voltage rating: 50V AC, DC
- Temperature range: -55°C to +85°C
(including temperature rise in applying electrical current)
- Contact resistance: Initial value/70m Ω max.
After environmental testing/100m Ω max.
- Insulation resistance: Initial value/ 50m Ω min.
- Withstanding voltage: Initial value/ 500V AC/minute
- * Compliant with RoHS.
- * Refer to "General Instruction and Notice when using Terminals and Connectors" at the end of this catalog.
- * Contact JST for details.

PC board layout (viewed from component side)

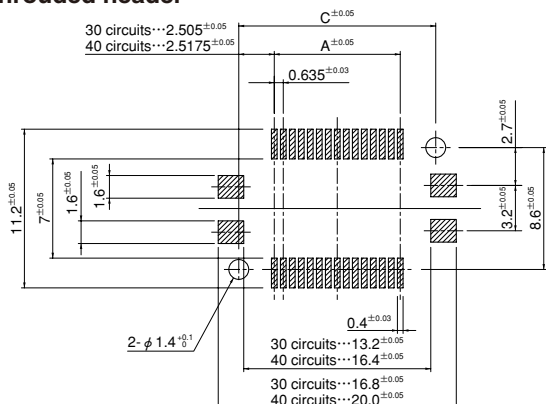
Receptacle Top entry type



Receptacle Side entry type



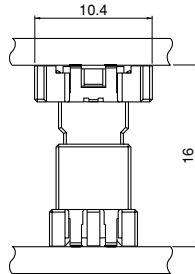
Shrouded header



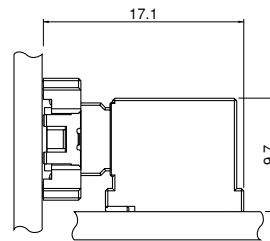
HTB CONNECTOR

Assembly layout

Top entry type

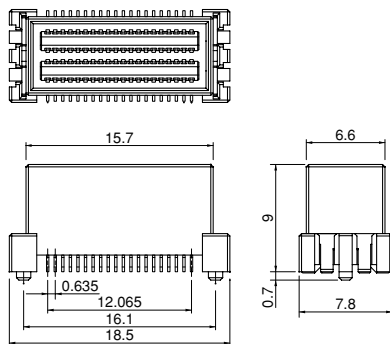


Side entry type

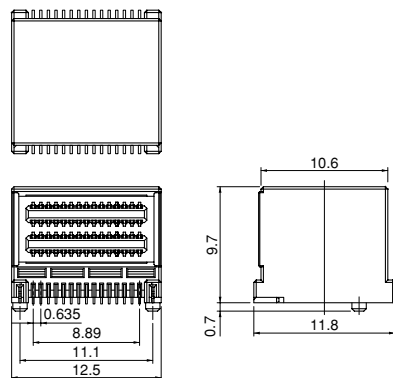


Receptacle

Top entry type



Side entry type



Circuits	Model No.		Q'ty / reel
	Top entry type (Between PC boards 16mm)	Side entry type	
30	—	30RS-HTBK-06-TF	250
40	40R16-HTBK-06-TF	—	300

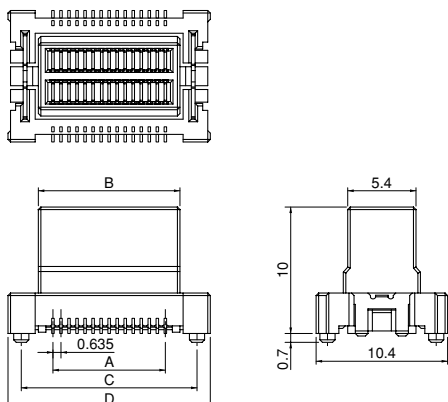
Material and Finish

Contact: Copper alloy, nickel-undercoated, selective gold-plated
Housing: Glass-filled PA 9T, UL94V-0
Reinforcement: Copper alloy, nickel-undercoated, selective gold-plated

RoHS compliance

Note: This products listed above are supplied on embossed-tape.

Shrouded header



Circuits	Model No.	Dimensions (mm)				Q'ty / reel
		A	B	C	D	
30	30H-HTBK-06-TF	8.89	11.2	13.9	16.0	250
40	40H-HTBK-06-TF	12.065	14.4	17.1	19.2	250

Material and Finish

Contact: Copper alloy, nickel-undercoated, selective gold-plated
Housing: Glass-filled PA 9T, UL94V-0
Reinforcement: Copper alloy, nickel-undercoated, selective gold-plated

RoHS compliance

Note: This products listed above are supplied on embossed-tape.