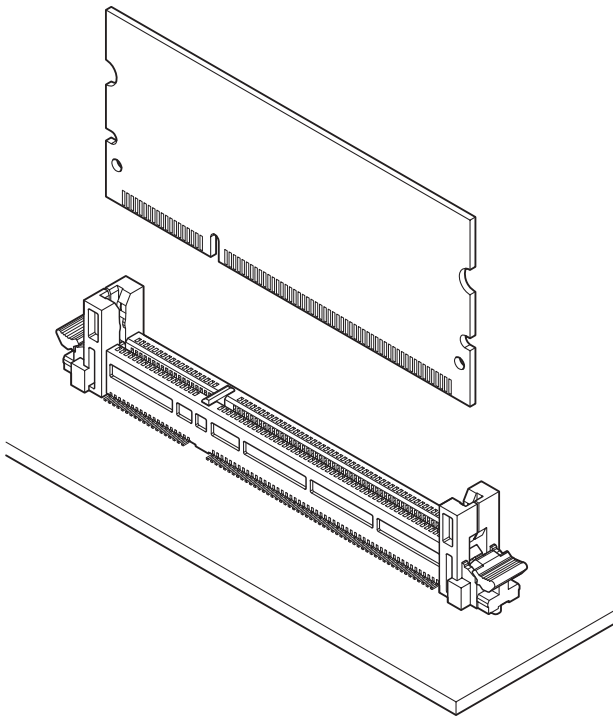


DM-144P CONNECTOR

0.8mm pitch/Socket for DDR2 S.O.DIMM Corresponding to 32 bits



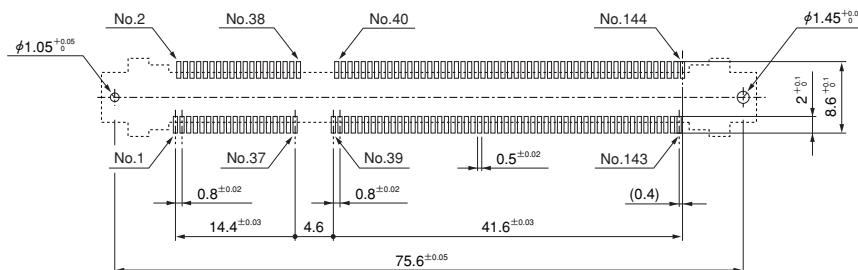
Socket for DDR2 S.O.DIMM 144-circuit complying with JEDEC (MO-274). Corresponding to the data transmission bandwidth of 32 bits.

- Easy module inserting/ejecting
- Low profile of 14.0mm height

Specifications

- Current rating: 0.5A AC, DC
- Voltage rating: 250V AC, DC
- Temperature range: -25°C to +85°C
(including temperature rise in applying electrical current)
- Contact resistance: Initial value/30m Ω max.
After environmental testing/50m Ω max.
- Insulation resistance: 250M Ω min.
- Withstanding voltage: 250V AC/minute
- * Compliant with RoHS.
- * Refer to "General Instruction and Notice when using Terminals and Connectors" at the end of this catalog.
- * Contact JST for details.

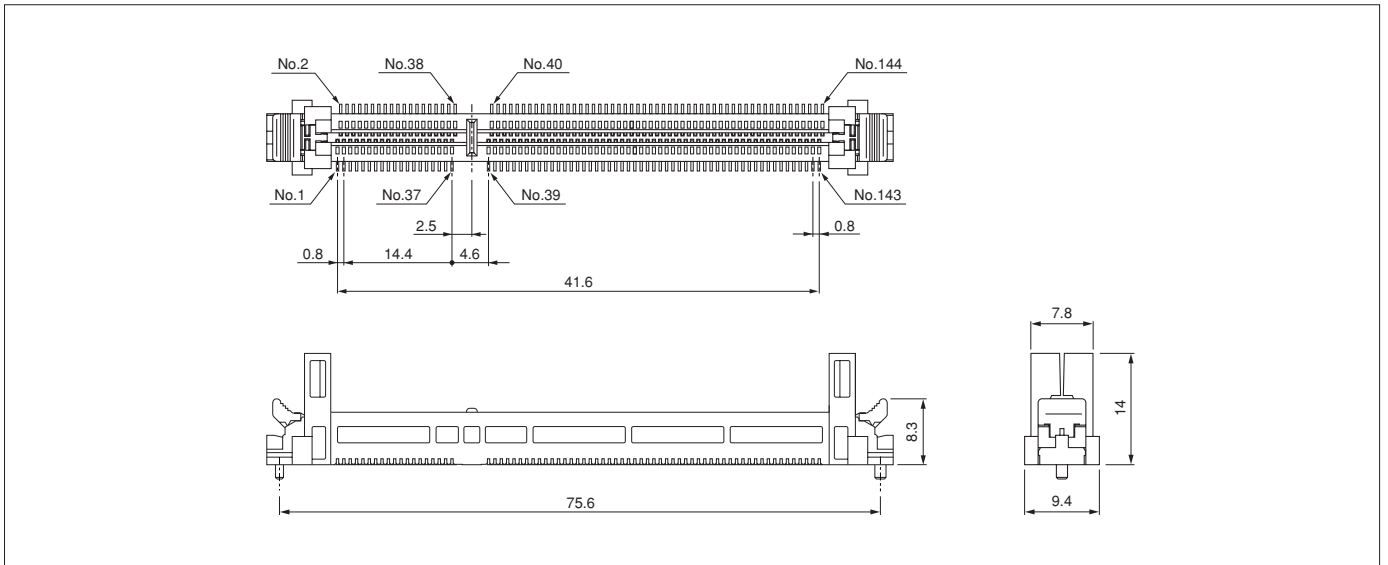
PC board layout (viewed from component side)



Note: 1. Tolerances are non-cumulative: ±0.02mm for all centers.
2. The dimensions above should serve as a guideline. Contact JST for details.

DM-144P CONNECTOR

Connector



| Model No. | Material and Finish | Q'ty / box |
|--------------|--|------------|
| DM-5D7-B3200 | Contact: Copper alloy, nickel-undercoated, gold-plated Housing: Heat resisting resin, UL94V-0, black Ejector: Heat resisting resin, UL94V-0, green | 224 |

RoHS compliance

Applicable PC board layout (for reference)

