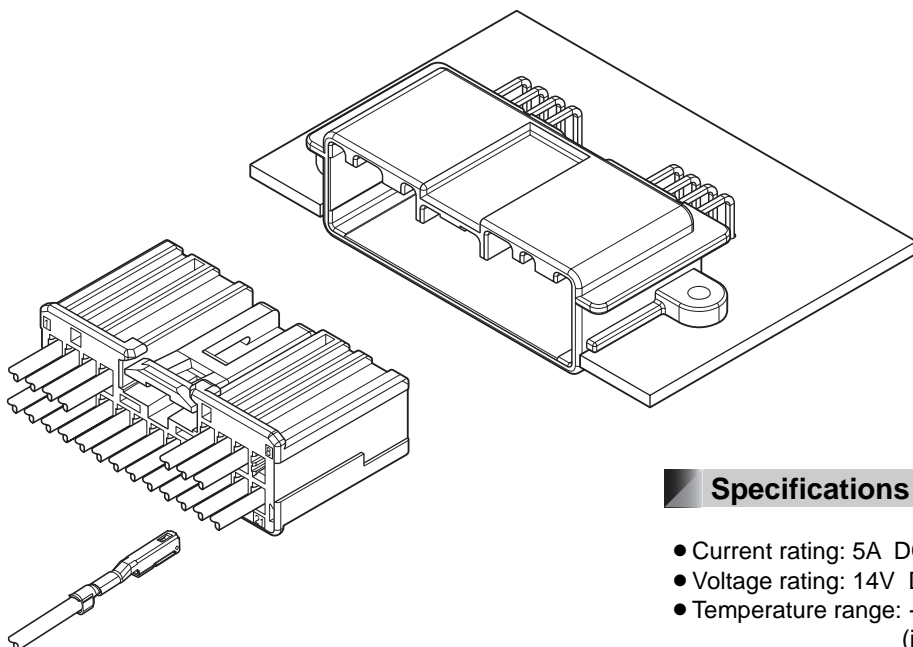


21 Circuits 0.64 Unsealed Connector system.
Ultra low profiled design for high density PCB
placement.

Features

- 21 Circuits: 0.64 Unsealed Connector
- Unique PCB mounting, low profile side entry design
- Varieties of Color and Key code options are available

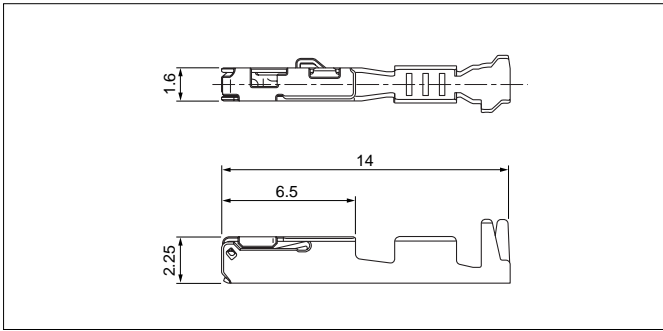


Specifications

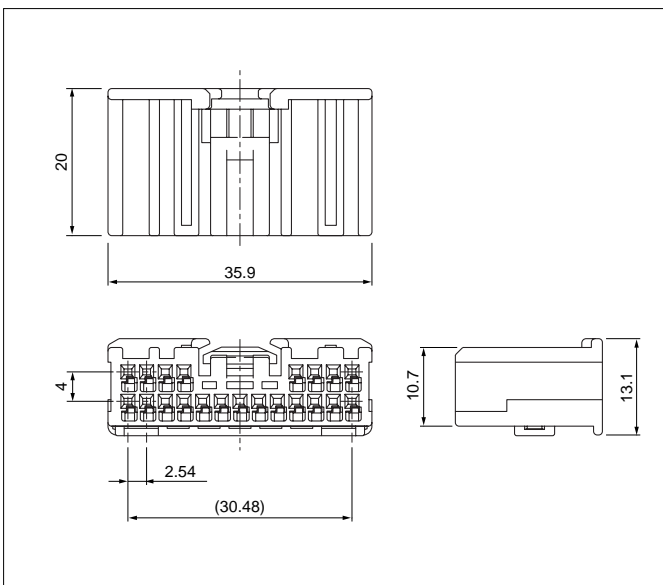
- Current rating: 5A DC max.
- Voltage rating: 14V DC
- Temperature range: -40°C to +125°C
(including temperature rise in applying electrical current)
- Contact resistance: Initial value/15mΩ max.
After environmental testing/15mΩ max.
- Insulation resistance: 100MΩ min.
- Applicable wire: SAE/AVSS/CAVS
0.3mm² to 0.8mm²

- * Compliant with ELV/RoHS.
- * Contact JST for details.

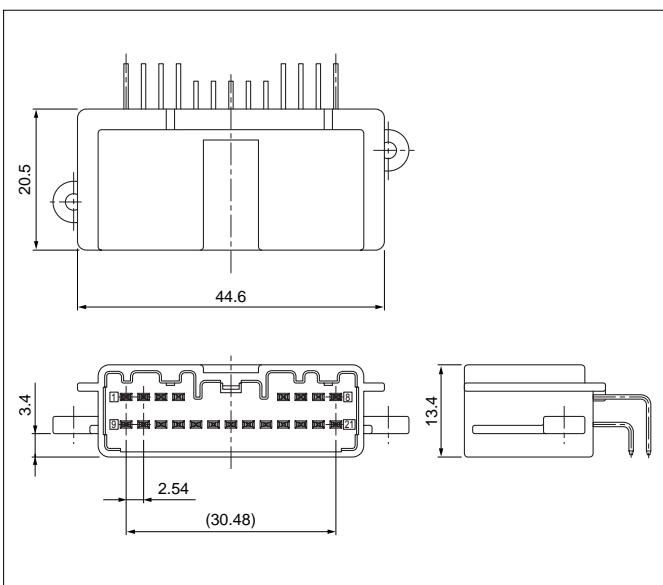
Female terminal



Female connector



Male connector



Model No.	Applicable wire range		Q'ty/reel
	Conductor (mm ²)	Insulation O.D. (mm)	
①SAIT-A03T-M064	0.3 to 0.5	≤1.9	6,500
①SAIT-A02T-M064	0.75 to 0.8	≤1.9	6,500
②SAIT-A03GF-M064	0.3 to 0.5	≤1.9	6,500
②SAIT-A02GF-M064	0.75 to 0.8	≤1.9	6,500

Material and Finish

- ① Copper alloy, tin-plated (reflow treatment)
- ② Copper alloy, nickel-undercoated, Contact area; gold-plated
Barrel area; tin-plated

Circuits	Model No.	Key Code	Q'ty/box	Housing Color	TPA Color
21	ATLPB-21-2AK	A	1,000	Black	Natural (White)
	ATLPB-21-2BH	B	1,000	Gray	Natural (White)
	ATLPB-21-2CD	C	1,000	Orange	Black
	ATLPB-21-2DD	D	1,000	Orange	Natural (White)

Material

Housing: PBT
TPA: Glass-filled PBT

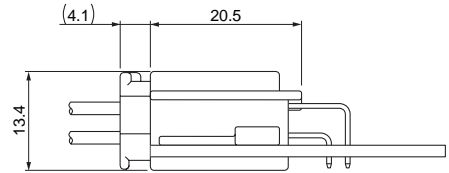
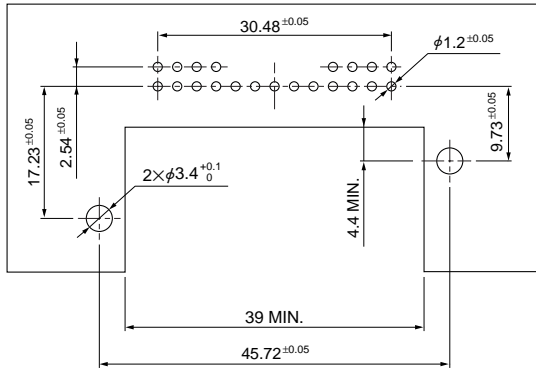
Circuits	Model No.	Key Code	Q'ty/box	Housing Color
21	S21BA-ATL-2AK	A	600	Black
	S21BA-ATL-2BH	B	600	Gray
	S21BA-ATL-2CD	C	600	Orange
	S21BA-ATL-2DD	D	600	Orange

Material and Finish

Housing: Glass-filled PBT
Pin: Brass, tin-plated

ATL CONNECTOR

PC board layout, Assembly layout



Crimping machine, Applicator

Strip terminal	Crimping machine	Crimp applicator MKS-L	
		Dies	Crimp applicator with dies
SAIT-A03()-M064	AP-K2N	MK/SAIT-A03-064	APLMK SAIT-A03-064
SAIT-A02()-M064		MK/SAIT-A02-064	APLMK SAIT-A02-064

Note: When crimping operation is conducted using an applicator and die set other than the above, JST cannot guarantee the performance of the terminal.