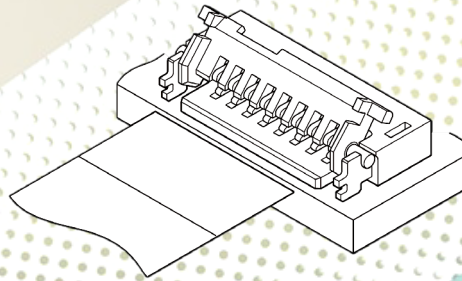


# REPLACE YOUR OMRON FPC CONNECTOR TO AN ALTERNATIVE **JST** SOLUTION



OMRON FPC	Pitch	Flex Entry type	Applicable Flex Thickness	Lock structure	Contact type	Height	Depth	JST Flex
XF3M(1)	1MM	SIDE ENTRY	0.3MM	ROTARY BACKLOCK	DUAL SIDED	2 MM	6.4 MM	<b>FPZ</b>
XF2M	0.5MM	SIDE ENTRY	0.3MM	ROTARY BACKLOCK	DUAL SIDED	2 MM	5.9 MM	<b>FLZX</b>
XF2U	0.5MM	SIDE ENTRY	0.2MM	ROTARY BACKLOCK	DUAL SIDED	0.9 MM	3.5 MM	<b>FHS</b>
XF2L	0.5MM	SIDE ENTRY	0.3MM	SLIDE LOCK	UPPER/LOWER SIDED	1.2 MM	3.45 MM	<b>FKZ</b>
XF2J	0.5MM	TOP ENTRY	0.3MM	SLIDE LOCK	SINGLE SIDED	4.15 MM	3.45 MM	<b>FLZT</b>
XF3C	0.25MM	SIDE ENTRY	0.12MM	ROTARY BACKLOCK	DUAL SIDED	0.85 MM	3.8 MM	<b>FGEM</b>
XF3A	0.3MM	SIDE ENTRY	0.12MM	ROTARY BACKLOCK	UPPER SIDED	0.6 MM	3.8 MM	<b>FXVL</b>
XF2B	0.3MM	SIDE ENTRY	0.2MM	ROTARY BACKLOCK	DUAL SIDED	1.2 MM	5.5 MM	<b>FXZ</b>
XF3Z	0.3MM	SIDE ENTRY	0.2MM	FRONTLOCK	LOWER SIDED	1.0 MM	5.5 MM	<b>FXR</b>

*More information about the Flex Serie [here](#) or *

**Find the JST Series on the next pages**



# JST FPC SERIES

## FPZ- 1.0 MM PITCH

ZERO INSERTION FORCE (ZIF) CONNECTOR, DESIGNED FOR SURFACE MOUNTING OF FFC/FPC WITH A LEAD PITCH OF 1.0 MM. WITH ITS MATING SILVER SERVING AS A GUIDE, THE FPZ CONNECTOR ENSURES EASY & RELIABLE CONNECTION. IT ALSO FEATURES HIGH HEAT RESISTANCE, WHICH IS SUITABLE FOR SURFACE MOUNTING & CAN BE SUPPLIED IN THE FORM OF EMBOSS TAPING TO FACILITATE AUTOMATIC MOUNTING.

- EASY & RELIABLE CONNECTION
- EMBOSS TAPING FOR AUTOMATIC MOUNTING
- HEAT RESISTING DESIGN SUITABLE FOR SURFACE MOUNTING
- HIGH-DENSITY DESIGN, WITH A HEIGHT OF A MERE 2.9MM
- EMBOSS TAPE

TEMPERATURE RANGE:

-25°C TO +85°C

VOLTAGE RATING:

50V AC,DC

CURRENT RATING:

0.5A AC,AC DC

APPLICABLE FFC/FPC:

CONDUCTOR PITCH: 1.0 MM - WIDTH: 0.7 MM

MATING PART THICKNESS: 0.30 ± 0.05 MM

CONTACT RESISTANCE:

INITIAL VALUE 20MΩ MAX / AFTER ENVIRONMENTAL TESTS 30MΩ MAX

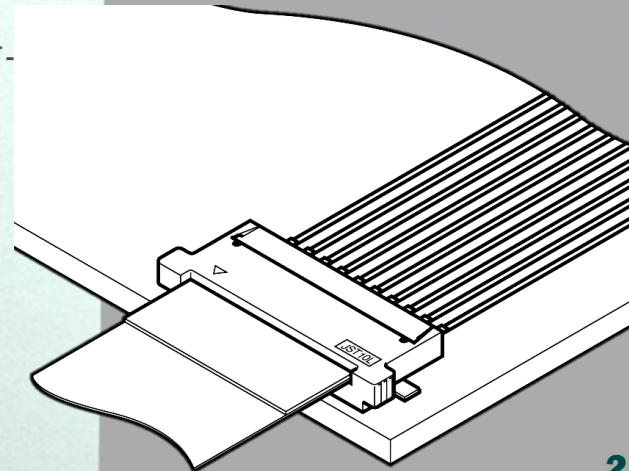
INSULATION RESISTANCE:

800MΩ MIN

WITHSTANDING VOLTAGE:

500V AC/MINUTE

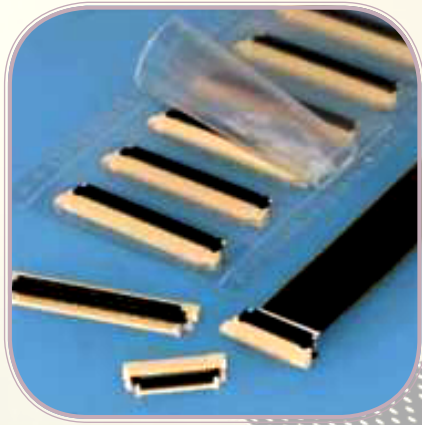
COMPLIANT WITH ROHS





# JST FPC SERIES

## FLZX - 0.5 MM PITCH



IT'S A ZERO INSERTION FORCE (ZIF) CONNECTOR, FOR THE 0.3 MM THICKNESS FFC OR FPC WITH A MOUNTING HEIGHT OF 2.0 MM. THIS 0.5 MM PITCH FFC OR FPC CONNECTOR ADOPTS A ZIF STRUCTURE, WHICH PROVIDES SUPERIOR PERFORMANCE IN DURABILITY & OFFERS EFFECTIVE PROTECTION FROM WEARING. THE USE OF THE ROTATIONG TYPE COVER CONTRIBUTES TO EASY OPERATION ESPECIALLY WITH BIG CIRCUITS CONNECTORS.

- ROTATING TYPE COVER
- RELIABLE COVER
- HEAT RESISTING DESIGN FOR SURFACE MOUNTING
- EMBOSS TAPE

TEMPERATURE RANGE:

-25°C TO +85°C

VOLTAGE RATING:

50V AC,DC

CURRENT RATING:

0.5A AC,AC DC

APPLICABLE FFC/FPC:

CONDUCTOR PITCH: 0.5 MM - WIDTH: 0.35 MM -  
MATING PART THICKNESS: 0.30 ± 0.03 MM

CONTACT RESISTANCE:

INITIAL VALUE 40MΩ MAX / AFTER ENVIRONMENTAL TESTS 60MΩ MAX

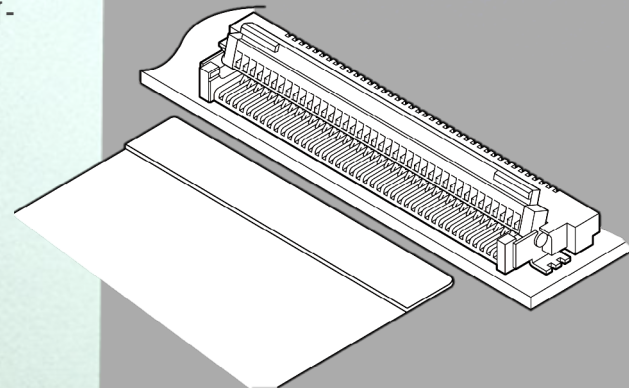
INSULATION RESISTANCE:

500MΩ MIN

WITHSTANDING VOLTAGE:

200V AC/MINUTE

COMPLIANT WITH ROHS





# JST FPC SERIES

## FHS - 0.5 MM PITCH

IT'S A ZERO INSERTION FORCE (ZIF) CONNECTOR, SPACE-SAVING TYPE FOR FPC WITH 3.1 MM DEPTH, THOUGH IT IS LOW PROFILE OF 0.9 MM MOUNTING HEIGHT. 0.2 MM THICK STANDARD FPC.



- SPACE SAVING DESIGN
- HEAT RESISTING DESIGN SUITABLE FOR SURFACE MOUNTING
- SELF-LOCK MECHANISM ENABLES THE COVER TO CLOSE BY ONE-TOUCH OPERATION
- EMBOSS TAPE

### TEMPERATURE RANGE:

-25°C TO +85°C

### VOLTAGE RATING:

50V AC,DC

### CURRENT RATING:

0.5A AC,AC DC

### APPLICABLE FPC:

CONDUCTOR PITCH: 0.5 MM - WIDTH: 0.35 MM -  
MATING PART THICKNESS: 0.20 ± 0.03 MM

### CONTACT RESISTANCE:

INITIAL VALUE 60MΩ MAX / AFTER ENVIRONMENTAL TESTS 60MΩ MAX

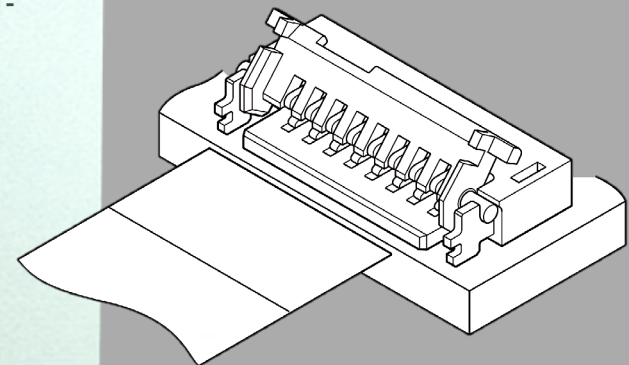
### INSULATION RESISTANCE:

800MΩ MIN

### WITHSTANDING VOLTAGE:

200V AC/MINUTE

COMPLIANT WITH ROHS

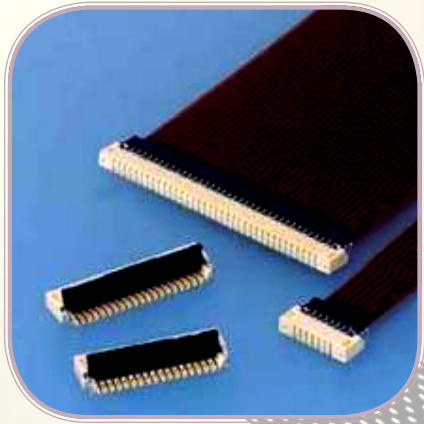




# JST FPC SERIES

## FKZ - 0.5 MM PITCH

IT'S A ZERO INSERTION FORCE (ZIF) CONNECTOR.  
AVAILABLE BOTH IN NORMAL & REVERSE TYPE FOR FPC.



- SPACE SAVING
- LOW PROFILE
- ZIF
- EMBOSS TAPE

TEMPERATURE RANGE:

-25°C TO +85°C

VOLTAGE RATING:

50V AC,DC

CURRENT RATING:

0.5A AC,AC DC

APPLICABLE FPC:

CONDUCTOR PITCH: 0.5 MM - WIDTH: 0.35 MM -  
MATING PART THICKNESS: 0.30 ± 0.05 MM

CONTACT RESISTANCE:

INITIAL VALUE 20MΩ MAX / AFTER ENVIRON-  
MENTAL TESTS 40MΩ MAX

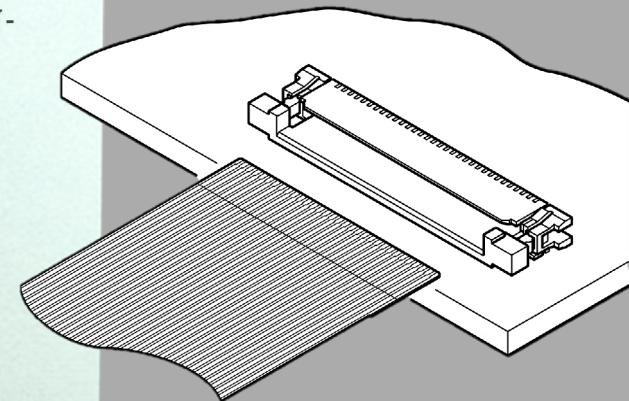
INSULATION RESISTANCE:

100MΩ MIN

WITHSTANDING VOLTAGE:

200V AC/MINUTE

COMPLIANT WITH ROHS





# JST FPC SERIES

## FGEM - 0.25 MM PITCH



IT'S A ZERO INSERTION FORCE (ZIF) CONNECTOR, THE FIRST MID-FLIP TYPE 0.25 MM PITCH FOR FPC IN THE CONNECTOR INDUSTRY. INTERNAL STRUCTURE OF CONNECTOR IS THE DOUBLE-SIDED CONTACT TO WHICH STRUCTURE OF BACK-FLIP TYPE IS SUCCEEDED & THE SPACE SAVING WHICH IS AN ADVANTAGE OF FRONT-FLIP TYPE CONNECTOR IS ENABLED BECAUSE THE MID-FLIP STRUCTURE BY WHICH THE ACTUATOR TILTS FORWARD IS ADOPTED. MOREOVER, BY ADDING THE TILT-TYPE, PC INSERTION WORKABILITY IMPROVED & LOCATED PARTS TO NEAR THE CONNECTOR, & HIGH-DENSITY MOUNTING WAS ENABLED.

- FPC WITH PROTUSION
- DOUBLE-SIDED CONTACT
- TILT TYPE
- ZIF
- EMBOSS TAPE

### TEMPERATURE RANGE:

-25°C TO +85°C

### VOLTAGE RATING:

50V AC,DC

### CURRENT RATING:

0.2A AC,AC DC

### APPLICABLE FPC:

CONDUCTOR PITCH: 0.25 MM - WIDTH: 0.27 MM -

MATING PART THICKNESS: 0.20 ± 0.03 MM

### CONTACT RESISTANCE:

INITIAL VALUE 100Ω MAX / AFTER ENVIRONMENTAL TESTS 100MΩ MAX

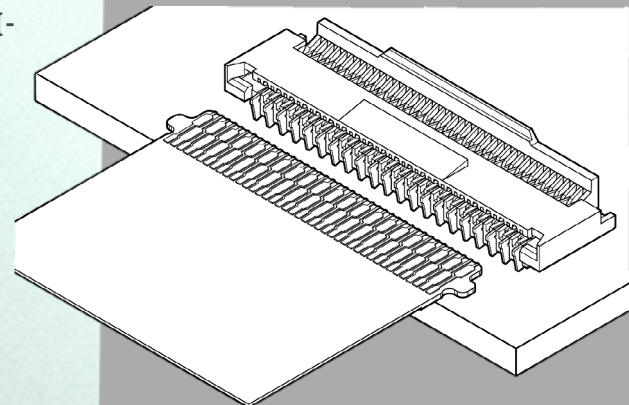
### INSULATION RESISTANCE:

50MΩ MIN

### WITHSTANDING VOLTAGE:

200V AC/MINUTE

COMPLIANT WITH ROHS





# JST FPC SERIES

## FXVL - 0.3 MM PITCH



IT'S A ZERO INSERTION FORCE (ZIF) CONNECTOR, WITH SPACE SAVING & LOW-PROFILE CONNECTOR FOR FPC. DEMANDED FROM THE MARKET & REALIZES 0.3 MM PITCH CONNECTOR WITH A MOUNTING HEIGHT OF 0.9 MM & DEPTH OF 2.68 MM. IN FPC CONNECTORS, THIS IS THE SMALLEST THE SMALLEST PRODUCT.

- DOUBLE ZIF CONSTRUCTION PROVIDES EASY INSERTION OPERATION OF FPC
- BY ADOPTING SELF-LOCKING MECHANISM, A COVER CAN CLOSE WITH ONE TOUCH OPERATION
- BY ADOPTING A FPC WITH PROTUSIONS, PREVENT INCOMPLETE INSERTION OR MIS-INSERTION AFTER INSERTION
- ZIF
- EMBOSS TAPE

### TEMPERATURE RANGE:

-25°C TO +85°C

### VOLTAGE RATING:

50V AC, DC

### CURRENT RATING:

0.2A AC, AC DC

### APPLICABLE FPC:

CONDUCTOR PITCH: 0.3 MM - WIDTH: 0.3 MM -  
MATING PART THICKNESS: 0.2 ± 0.03 MM

### CONTACT RESISTANCE:

INITIAL VALUE 100Ω MAX / AFTER ENVIRONMENTAL TESTS 100MΩ MAX

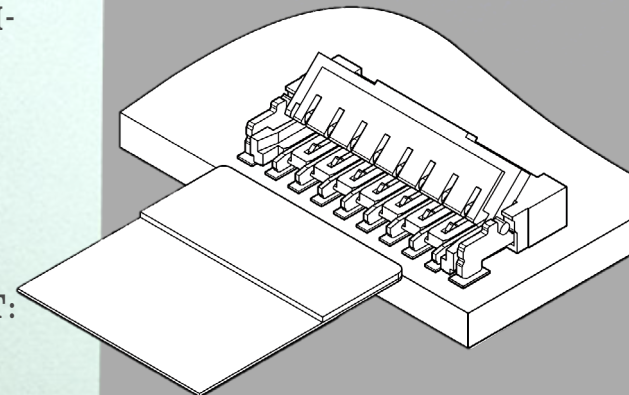
### INSULATION RESISTANCE:

50MΩ MIN

### WITHSTANDING VOLTAGE:

200V AC/MINUTE AFTER HUMIDITY TEST:  
100 VAC/MINUTE

### COMPLIANT WITH ROHS

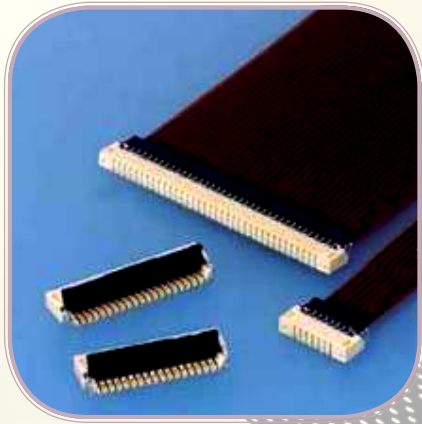




# JST FPC SERIES

## FXZ - 0.3 MM PITCH

IT'S A ZERO INSERTION FORCE (ZIF) CONNECTOR. IT REALIZES SPACE SAVING & LOW PROFILE FEATURES DEMANDED BY THE MARKET & IT PROVIDES ALSO AN EXCELLENT OPERABILITY. VARIOUS NUMBER OF CIRCUITS CAN BE AVAILABLE.



- DOUBLE-ZIF DESIGN FOR EASY INSERTION OPERATION OF FPC
- SELF-LOCK MECHANISM ENABLES THE COVER TO CLOSE BY «ONE-TOUCH» OPERATION
- VERSATILE NUMBER OF CIRCUITS
- EMBOSS TAPE

### TEMPERATURE RANGE:

-25°C TO +85°C

### VOLTAGE RATING:

50V AC,DC

### CURRENT RATING:

0.2A AC,AC DC

### APPLICABLE FPC:

CONDUCTOR PITCH: 0.3 MM - WIDTH: 0.3 MM -  
MATING PART THICKNESS: 0.2 ± 0.03 MM

### CONTACT RESISTANCE:

INITIAL VALUE 60MΩ MAX / AFTER ENVIRONMENTAL TESTS 60MΩ MAX

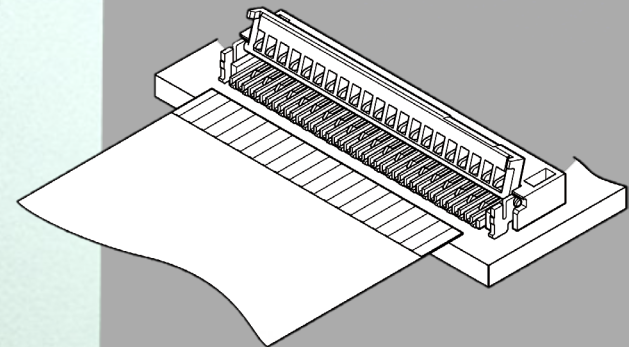
### INSULATION RESISTANCE:

500MΩ MIN

### WITHSTANDING VOLTAGE:

200V AC/MINUTE

### COMPLIANT WITH ROHS





# JST FPC SERIES

## FXR - 0.3 MM PITCH

IT'S A ZERO INSERTION FORCE (ZIF)  
CONNECTOR FOR FPC WITH ONLY 1.00 MM HEIGHT.



- LOW PROFILE & ZIF MECHANISM
- SPACE SAVING DESIGN
- HEAT RESISTING DESIGN SUITABLE FOR SURFACE MOUNTING
- EMOSS TAPE

TEMPERATURE RANGE:

-25°C TO +85°C

VOLTAGE RATING:

50V AC,DC

CURRENT RATING:

0.2A,AC DC

APPLICABLE FPC:

CONDUCTOR PITCH: 0.3 MM - WIDTH: 0.3 MM -  
MATING PART THICKNESS: 0.2 ± 0.03 MM

CONTACT RESISTANCE:

INITIAL VALUE 50MΩ MAX / AFTER ENVIRON-  
MENTAL TESTS 50MΩ MAX

INSULATION RESISTANCE:

50MΩ MIN

WITHSTANDING VOLTAGE:

200V AC/MINUTE

COMPLIANT WITH ROHS

